

Fire Pit Lids

Installation and Operating Instructions

**IF YOU CANNOT READ OR UNDERSTAND THESE INSTALLATION INSTRUCTIONS
DO NOT ATTEMPT TO INSTALL OR OPERATE THIS APPLIANCE**

*Fire pit lids come in three common styles, round, square and linear (rectangular) shapes.
Each lid will come with a handle, two washers and two screws.*

FOR YOUR SAFETY

WHAT TO DO IF YOU SMELL GAS

- Do not try to light the appliance.
- Do not touch any electrical switch.
- Do not use any phone in your building.
- Immediately call you gas supplier from a neighbor's phone. Follow the gas suppliers instructions.
- If you cannot reach your gas supplier call the fire department.

Warning: Improper installation, adjustment, alteration, service or maintenance can cause injury or property damage. Refer to this manual for assistance or for additional information consult a qualified installer, service agency or gas supplier.

FOR YOUR SAFETY

Do not store or use gasoline or other flammable vapors and liquids in the vicinity of this or any other appliance.

Young children should be carefully supervised when they are in same area as the appliance.

CAUTION: Stainless steel lids can be hot to the touch when installed on your fire pit due to the sun and outdoor temperatures. Always use caution when handling.

ASSEMBLY

NOTE: Stainless steel lids will come with a protective plastic coating to prevent it from scratching during shipping on the top exposed side. Carefully remove the plastic coating then wipe off any residue that may remain from the coating itself. Remaining residue not cleaned off can be “baked” into the stainless steel finish and leave a permanent discoloring on the finish of the lid.

Handle installs on top of the lid (lip/edge facing downward). The idea is for the lid to be able to repel water and not accumulate it.

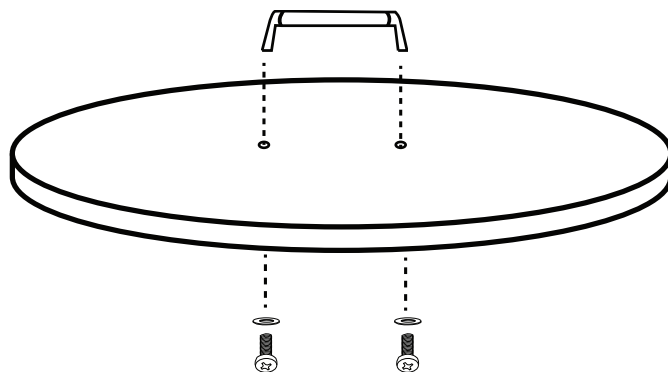


Fig. 1 Installing handle, screws, washers on lid.

INSTALLATION

Using the handle, simply sit the lid over-top of the fire pit opening, centering it left to left and right to right resting on the top of the enclosure.

CAUTION: DO NOT OPERATE FIRE PIT WITH LID INSTALLED

NOTE: If a windshield is installed on the fire pit the lid should sit inside of the windshield centered side to side and end to end. Do not sit lid on top of the glass edge windshield.

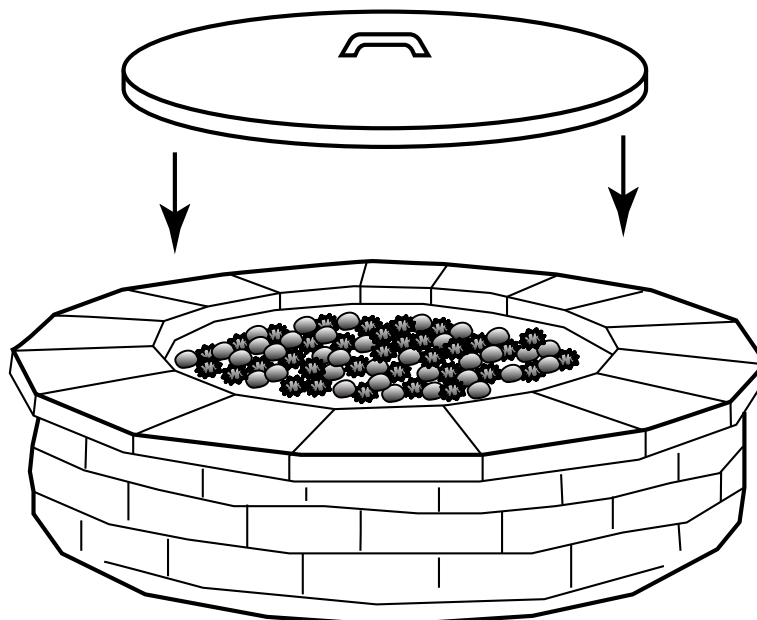


Fig. 2 Installing lid on fire pit closure.

CLEANING STAINLESS STEEL: Stainless steel tends to oxidize in the presence of chlorides and sulfides, particularly in coastal areas and other harsh environments, such as the warm, highly humid atmosphere around pools and hot tubs. These stains can be perceived as rust but, can be easily removed or prevented. To provide stain prevention and removal, wash all stainless steel surfaces every 3-4 weeks or as often as required with fresh water and/or a stainless steel cleaner.

NOTES ON CLEANING: Do not use abrasive cleaners or steel wool on any stainless steel parts. Doing so will scratch the finish. Exterior surfaces should be cleaned with warm soapy water. Use a stainless steel or non-abrasive cleaner. Always wipe in the direction of the grain. If you have any questions call the Technical Support line below.

FOR TECHNICAL SERVICE, CALL: (855) 498-8324

Firegear Outdoors
9230 Conservation Way
Fort Wayne, IN 46809
For Sales: (888) 672-8929

WEB SITE: www.firegearoutdoors.com