

MODEL: ESTOP-RM-KIT

E-STOP Gas Timer Recessed Mounting Kit

For use with Firegear Outdoors MatchThrow (MT),
Thermocouple Manual Safety (TMSI) Fire Pits and BBQ Grill applications

Installation and Operating Instructions

**IF YOU CANNOT READ OR UNDERSTAND THESE INSTALLATION INSTRUCTIONS
DO NOT ATTEMPT TO INSTALL OR OPERATE THIS APPLIANCE**



Warning: For Outdoor Use Only

**NATIONAL
FIREPLACE
INSTITUTE**



CERTIFIED
www.nficertified.org

We recommend that our gas
hearth products be installed
and serviced by profes-
sionals who are certified in
the U.S. by the National
Fireplace Institute® (NFI) as
NFI Gas Specialists.

PLEASE RETAIN THIS MANUAL FOR FUTURE REFERENCE

PRODUCT DESCRIPTION: This ESTOP-RM-KIT (recessed mounting kit) is designed to be installed with a Firegear Outdoors Match Throw (MT) fire pit, a Thermocouple Manual Safety (TMSI) fire pit or a BBQ grill applications. Use either the ESTOP1-0H or ESTOP2-5H gas timer models with this kit. The ESTOP Gas Timer is not supplied with this kit and must be purchased separately. The ESTOP gas timers must be oriented in the upright position as shown in the instructions. **NOTE:** All gas lines must enter from the back side of the ESTOP gas timer to use this mounting kit. Ensure to install the plugs provided with the ESTOP gas timer and seal them with gas rated Teflon tape before installing the kit. **FOLLOW LOCAL CODES IF APPLICABLE FOR THIS INSTALLATION**

INSTALLING THE RECESSED MOUNTING KIT

Tools Needed: Power Screwdriver with a Phillips head tip, $\frac{5}{16}$ " wrench or nut driver.

Step 2: After brackets are installed, the ESTOP gas timer should look like Fig. 2.

Step 1: Use the four (4) screws provided in the ESTOP gas timer box and install the two (2) mounting brackets to each side of the ESTOP as shown in Fig. 1.

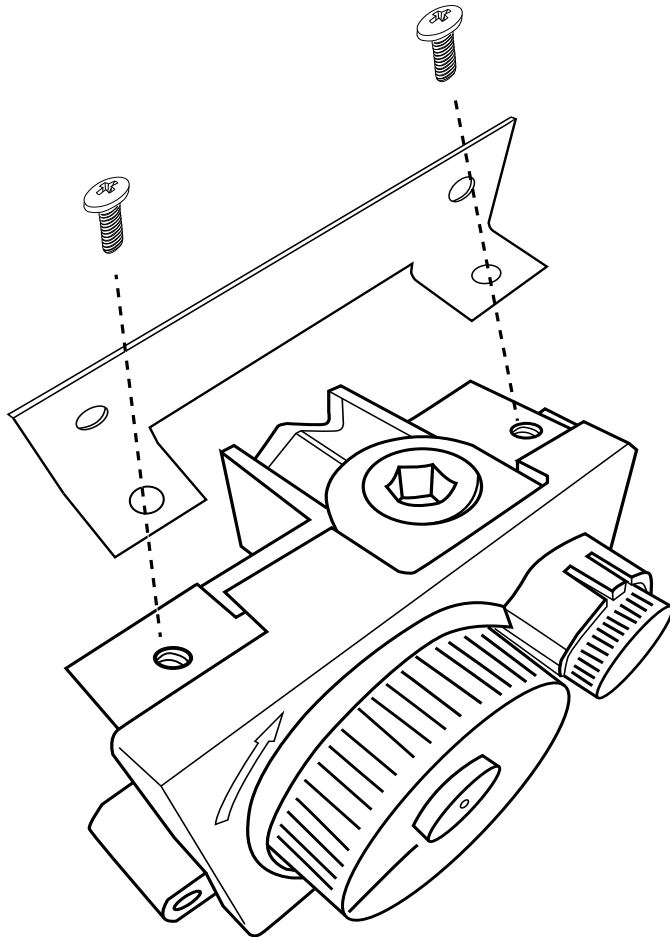


Fig. 1 Installing mounting brackets to ESTOP gas timer.

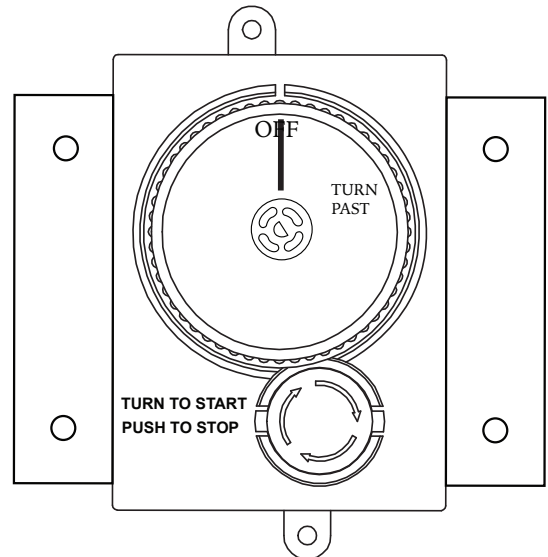


Fig. 2 Shows front view of ESTOP with mounting brackets installed.

Step 3: Cut a $3\frac{1}{8}$ " x $4\frac{3}{4}$ " hole into the wall board where the ESTOP is to be located.

Step 4: Place the ESTOP into the hole and mark the mounting hole brackets. Ensure assembly is centered and level, then drill four $\frac{1}{4}$ " holes in the wall for mounting. See Fig. 3.

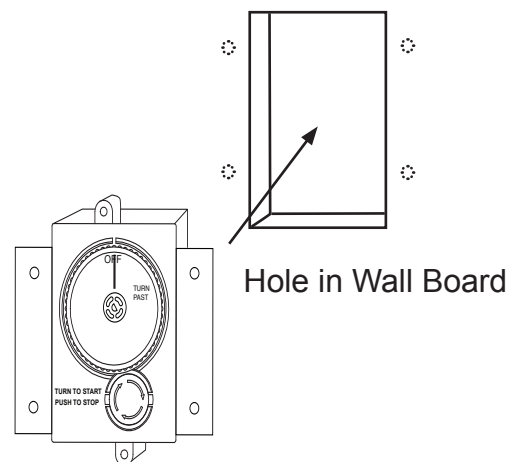


Fig. 3 Installing ESTOP gas timer into wall.

Step 5: Install the (4) 10-24 x 1.25" Phillips screws through the mounting brackets, into the wall board holes and secure with a washer and nut (on back side) for each hole.

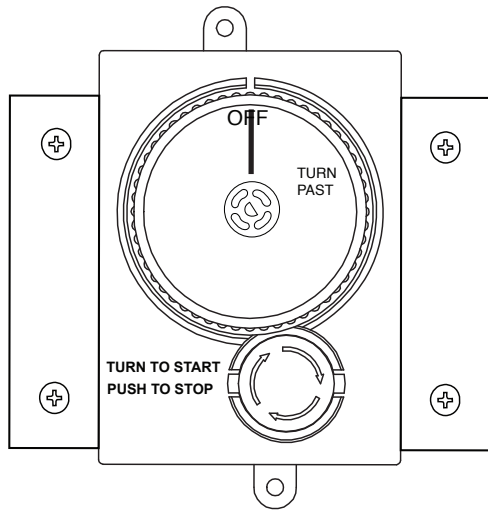


Fig. 4 Shows ESTOP mounted into wall.

Step 6: Install the cover plate overtop of the ESTOP gas timer. Align the holes in the cover plate with the holes in the ESTOP gas timer (top and bottom) and install the two (2) mounting screws (#10-24 x 1/2" stainless steel screws) to secure the cover plate as shown in Figs.5 and 6.

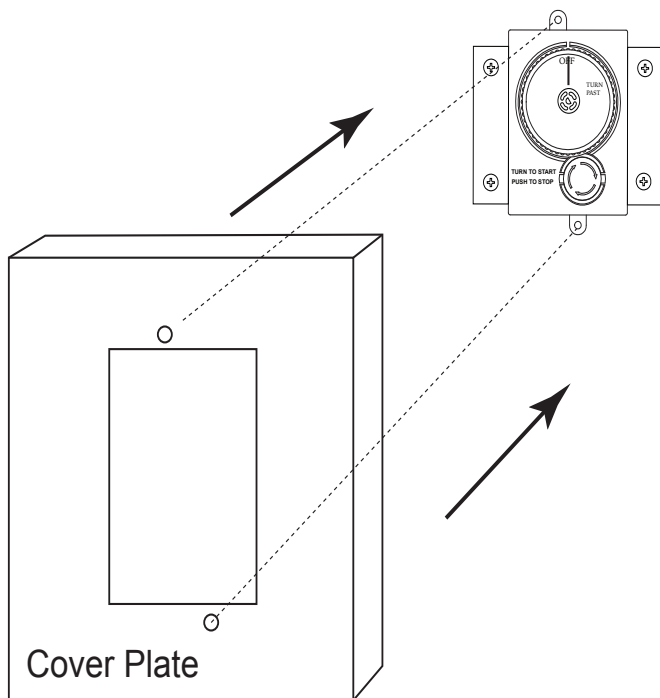


Fig. 5 Installing cover plate.

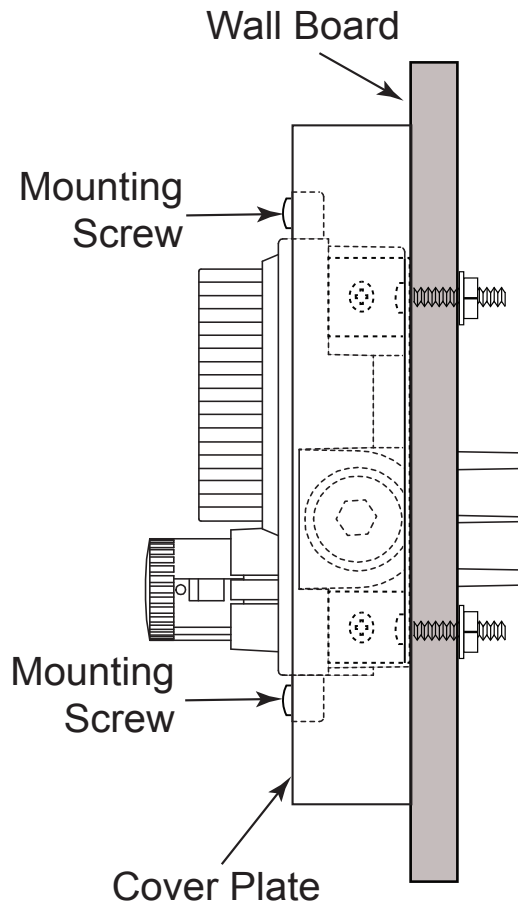


Fig. 6 Side view of ESTOP mounted into wall.

Step 7: When cover plate is installed over the ESTOP gas timer it will protrude $\frac{7}{8}$ ". See Fig. 7 for outside dimensions.

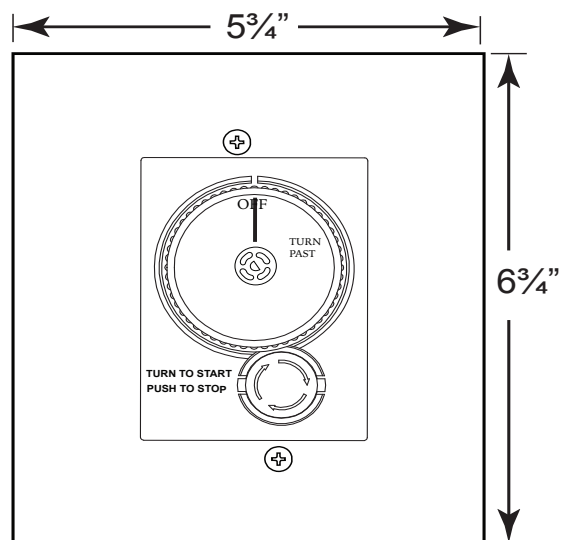


Fig.7 Cover plate outer dimensions.

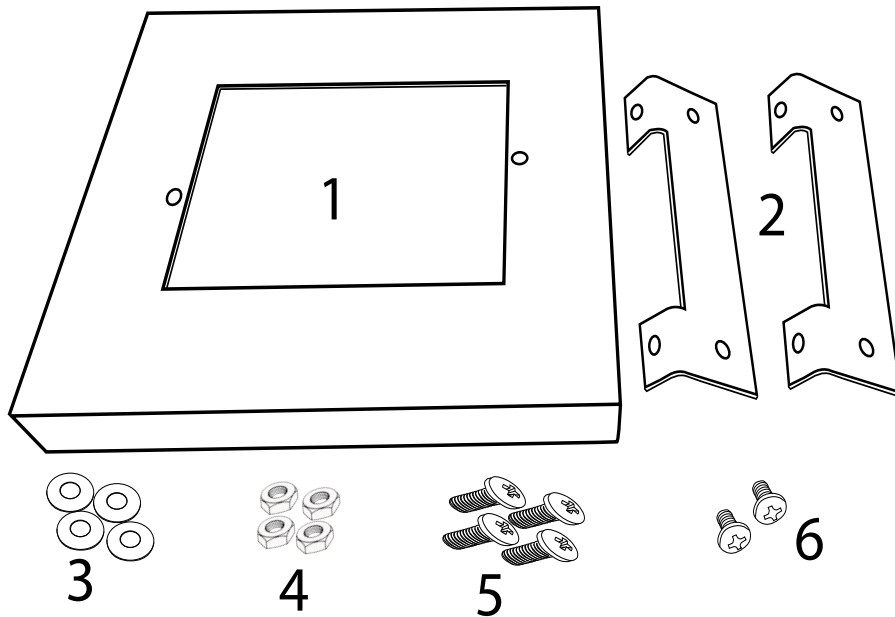
Step 8: After the ESTOP-RC-KIT is installed then use gas rated Teflon tape on the gas lines to connect gas supply. Ensure you check for gas leaks before final operation.

LIMITED WARRANTY

Firegear Outdoors warrants the ESTOP-RM-KIT for 12 months from date of purchase or installation to original purchaser to be free from defects in materials and workmanship. Damage to the ESTOP-RM-KIT caused by accident, misuse, abuse, or installation error, whether performed by a contractor, service company, or owner, is not covered by this warranty.

Firegear Outdoors will not be responsible for labor charges and/or damage incurred in installation, repair, replacement, or for incidental or consequential damage. Some states, provinces, and nations do not allow exclusion or limitations of incidental or consequential damages, so the above limitations or exclusions may not apply. This warranty gives you specific legal rights. You may also have other rights that vary by state, province, or nation.

REPLACEMENT PARTS



REPLACEMENT PARTS LIST

	Description	Part Number	Qty.
1	Cover Plate Stainless	ESTOP-COVER-PLATE	1
2	Stainless Mounting Brackets	ESTOP-RECESS-BRKT 8	2
3	#10 Stainless Washers	WASHER10SS	
4	10-24 Stainless Nuts	ST3-113-1020	
5	10-24x 1 1/4" Phillips Pan Screw SS	SCREW1024PANSS	
6	#10-24x 1/2" Screw	ST3-113-1028	

FOR TECHNICAL SERVICE CONTACT:

(855) 498-8324

Firegear Outdoors
9230 Conservation Way
Fort Wayne, IN 46809

Sales Support: 888-699-6167

Web Site: www.firegearoutdoors.com