

MODEL: MSI-BSTMSI

Manual Spark Ignition (MSI) Kit

For Use only with Thermocouple Manual Safety (TMSI)

UL Approved Fire Pit Pans with Burning Spur

Installation and Operating Instructions

**IF YOU CANNOT READ OR UNDERSTAND THESE INSTALLATION INSTRUCTIONS
DO NOT ATTEMPT TO INSTALL OR OPERATE THIS APPLIANCE**

CALIFORNIA PROPOSITION 65



WARNING

This product can expose you to Chromium, which is known to the state of California to cause cancer and birth defects or other reproductive harm.

(For more information, go to www.p65warnings.ca.gov)



Warning: For Outdoor Use Only

**NATIONAL
FIREPLACE
INSTITUTE**



CERTIFIED
www.nficertified.org

We recommend that our gas hearth products be installed and serviced by professionals who are certified in the U.S. by the National Fireplace Institute® (NFI) as NFI Gas Specialists.

PLEASE RETAIN THIS MANUAL FOR FUTURE REFERENCE

PRODUCT DESCRIPTION: This Manual Spark Ignition (MSI) kit is designed to be installed with a UL approved Firegear Outdoors TMS fire pits burner system only. It comes partially assembled and uses a AAA battery inside the ignitor module and push button to light a fire pit burner with spark ignition.

PREPARING THE FIRE PIT BURNER PAN FOR THE 2-PROBE SPARK IGNITOR

CAUTION: If the fire pit is installed then turn OFF main gas supply and remove all media prior to installation of MSI Kit.

Step #1: Prepare the fire pit pan by first removing the screen cover hood from the ignitor hood (See Fig. 1).

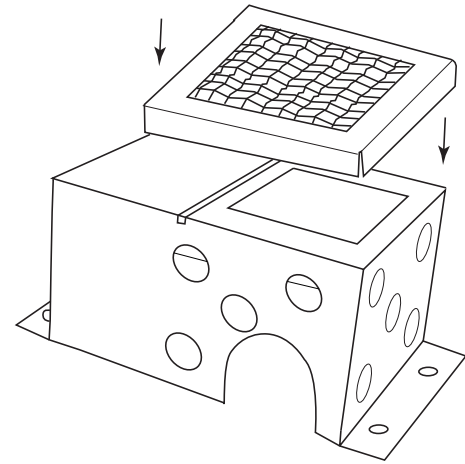


Fig. 1

Step #2: Remove the five (5) stainless steel thread cutting screws from the ignition hood exposing the rainshield and thermocouple (See Fig. 2).

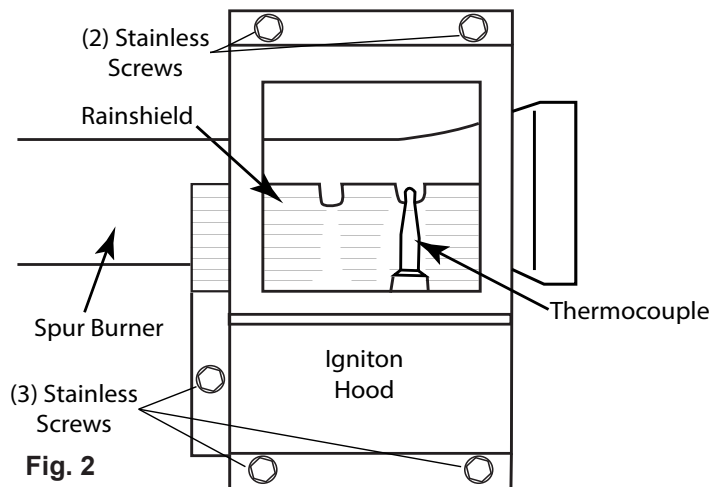


Fig. 2

Step #3: Remove Thermocouple from the back of the gas valve with a 10mm open-end wrench or an a small adjustable wrench (See Fig. 3).

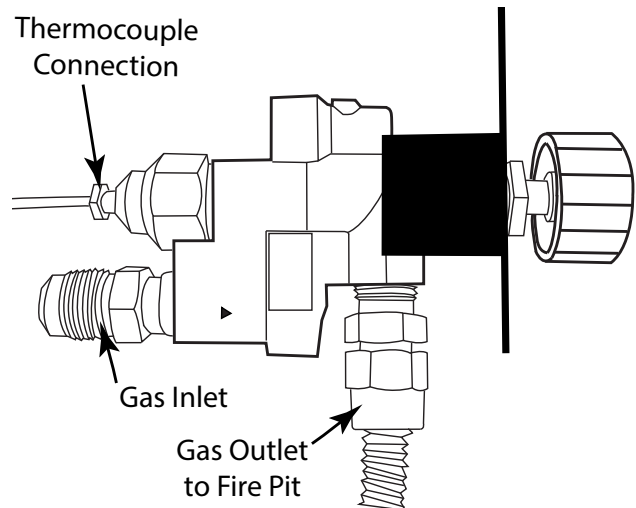


Fig. 3

Step #4: Remove the two thread cutting screws from the existing rainshield/thermocouple bracket and carefully lift the assembly out from the rectangular hole and set aside (See Fig 4).

Note: The old Thermocouple, rainshield and bracket will no longer be used. Set it aside and save as a replacement part or discard the parts.

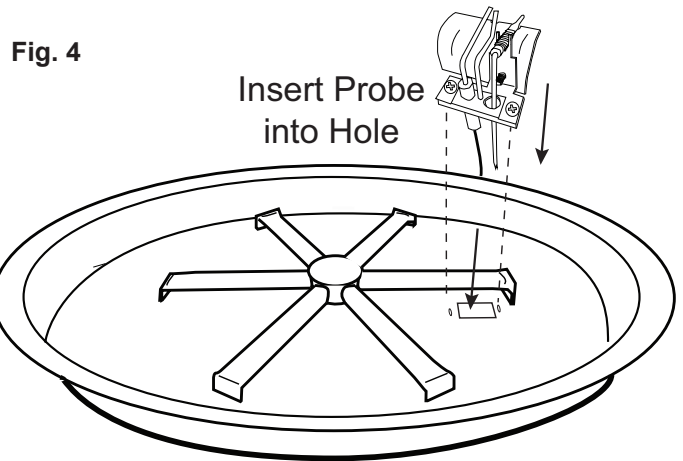
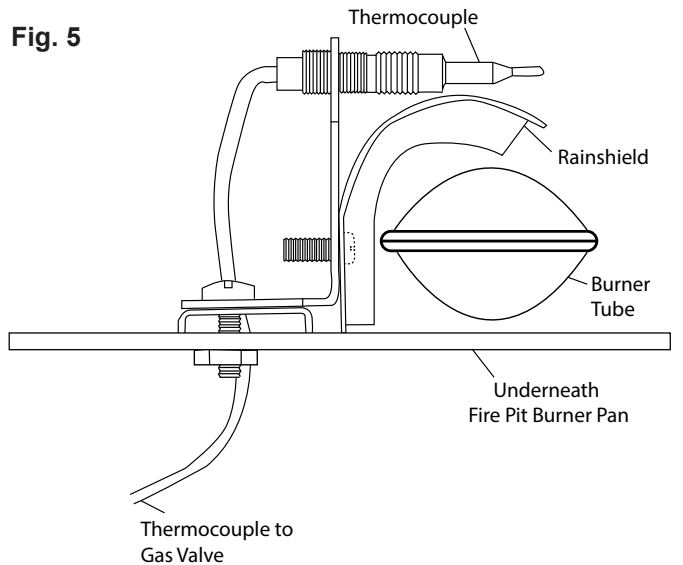


Fig. 5

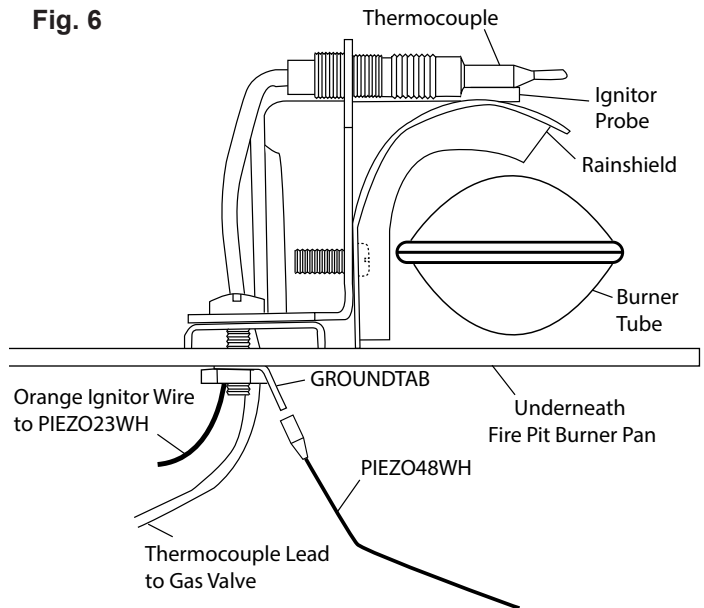


Step #5: Remove the two nuts from the new MSI-BSTMS kit but leave it assembled.

Carefully untwist the copper lead from the thermocouple and orange ignitor wire through the rectangular hole and insert the screws from the assembly into the existing holes of the burner pan. **NOTE:** If the screws and nuts do not install into the existing holes easily or you can use the thread cutting screws previously removed (See Fig. 4). Ensure the assembly rests flat against the fire pit pan. Temporarily secure one of the screws with one of the nuts previously removed (See Fig 5).

OPTION: You can use the existing thread cutting screws to secure the assembly or the screw and nut as shown, if necessary.

Fig. 6



Step #6: The Ground Tab can be installed over the remaining screw (without the nut) and secure the tab with the other nut (See Fig 6) or you can also choose an existing drain hole in the pan and secure the Ground Tab with a screw and nut. **NOTE:** In all cases, ensure the nut is secured tight against the Ground Tab and fire pit pan because this will serve as the “ground” connection for the ignitor to spark. At the same time secure the other nut from Step 5.

Step #7: Install the ignition hood over top of the probe assembly into the existing pre-punched holes of the burner pan by using the five thread cutting screws previously removed (See Fig. 7).

Ensure the Thermocouple and ignitor are overtop of the notched area of the hood as seen in Fig. 7 for proper ignition and operation.

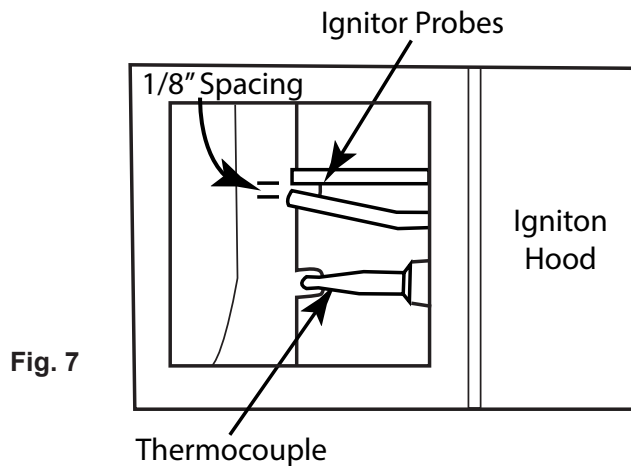


Fig. 7

Step #8: Remove the black plastic insert plug from the valve mounting plate for preparation of installing the ignition module (See Fig. 8).

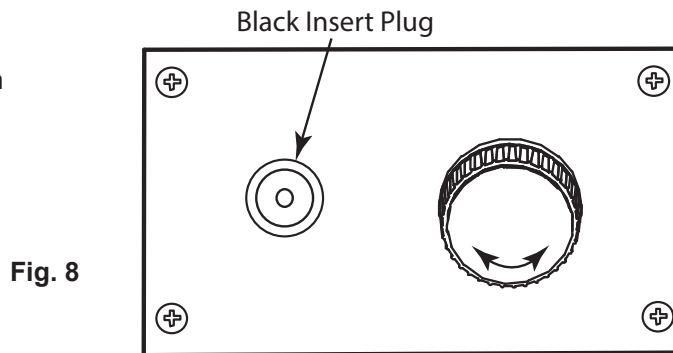


Fig. 8

Step #9: Remove the red button and black plastic nut from the ignitor module. Behind the black insert plug is a hole with two notches inside it. Align the ignitor module with the two notches and slide the module into the place until it stops. Using the plastic nut, thread it onto the module to secure it into place against the mounting plate. Careful not to turn the nut too tight and crack the plastic. Install the AAA battery as shown and thread the red button cap on the remain threads of the module (See Fig. 9).

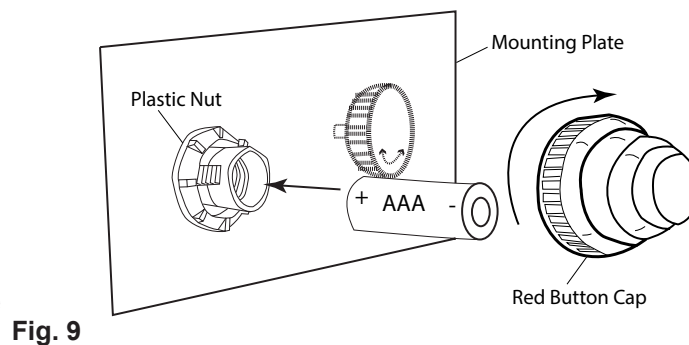


Fig. 9

Step #10: Connect the 3/16-inch end of the extension wires into the back side of the spark ignitor module. See Fig. 10 detail.

Step #11: Attach the 1/4" extension wires PIEZO23WH to the orange ignitor wire and attach the PIEZO48WH to ground tab under the burner pan. See Fig 10 and Fig 11.

Step #12: Reconnect the thermocouple lead to the gas valve. Install it finger tight plus a quarter turn with a wrench.

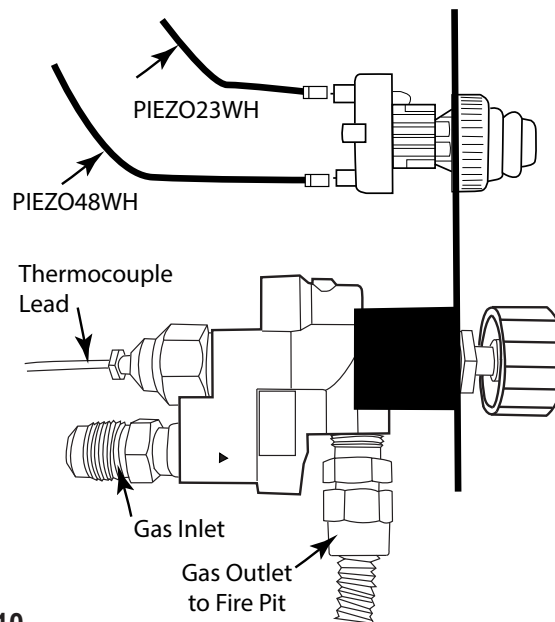


Fig. 10

Step #13: Test the ignitor by pushing and holding the red button to ensure the 2-probe ignitor is sparking inside the ignition box in the burner pan. The spark should be located directly overtop of the burner port hole for proper ignition of the gas as previously discussed. Spacing between the probes should be approximately 1/8" for proper spark. Use Fig. 7 for reference.

Note: Fig. 6 show details of the PIEZO48WH wire connection if needed.

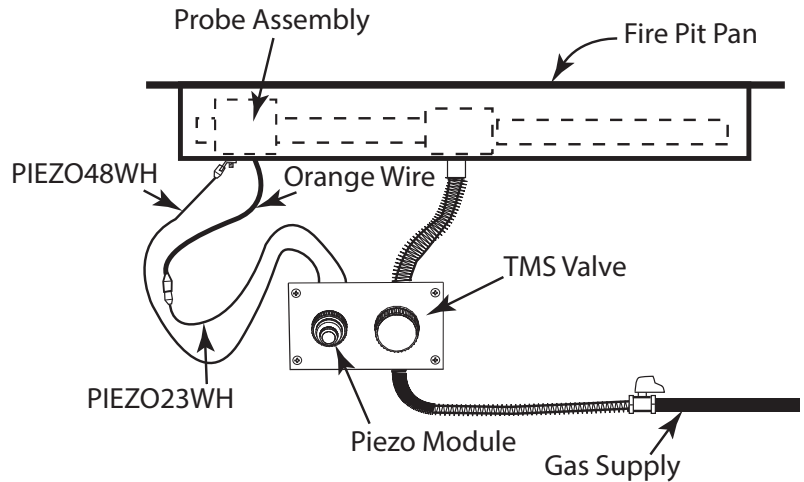


Fig. 11

Step #14: Install the ignition hood screen mesh and ensure no media covers hood (See Fig. 11). Install the lava rock/media material according to fire pit install manual and turn the main gas supply back ON. Installation is now complete.

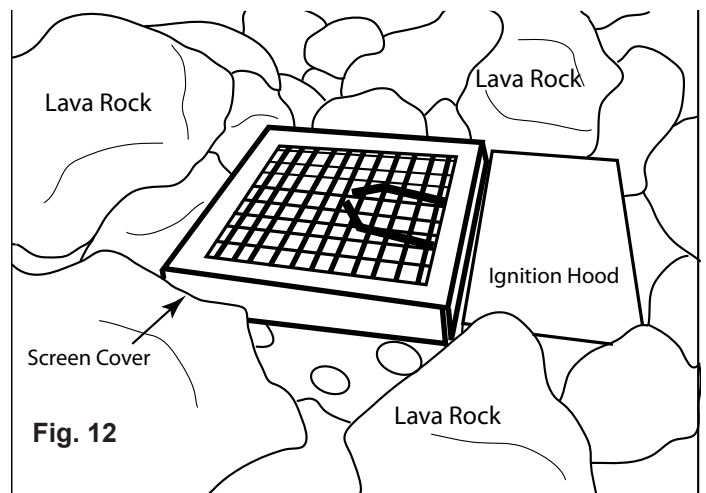


Fig. 12

LIGHTING INSTRUCTIONS

READ ALL LIGHTING INSTRUCTIONS BEFORE ATTEMPTING TO LIGHT FIRE PIT

CAUTION: ENSURE YOU HAVE LEAK TESTED THE FIRE PIT BEFORE OPERATING.

WARNING: Do not stand over fire pit during ignition or operation due to high surface temperatures.

TURNING ON FIRE PIT

1. Depress and hold the red Piezo ignitor button and ensure sparking is occurring at the probes inside ignition hood.
2. Rotate control knob on gas valve counter clockwise to the ON position.
3. Depress control knob inward to light the burner.
4. After the fire pit lights release the Piezo button but continue to depress the control knob for at least 30 seconds then release knob. If fire pit does not light within 30 seconds, release control knob, turn knob clockwise to turn OFF and wait 5 minutes before trying again. Turn gas supply OFF to check probe spacing and Piezo battery if fire pit does not light.
5. Repeat steps 1-4.

TURNING OFF FIRE PIT

1. Slight push inward on control knob and turn clock wise until it stops. Fire pit will turn OFF.
2. After cooling off install cover.

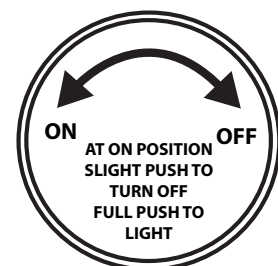


Fig. 13

LIMITED WARRANTY

Firegear Outdoors warrants the MSI-BSTMS Kit for 12 months from date of purchase or installation to original purchaser to be free from defects in materials and workmanship. Damage to the MSI-BSTMS Kit caused by accident, misuse, abuse, or installation error, whether performed by a contractor, service company, or owner, is not covered by this warranty.

Firegear Outdoors will not be responsible for labor charges and/or damage incurred in installation, repair, replacement, or for incidental or consequential damage. Some states, provinces, and nations do not allow exclusion or limitations of incidental or consequential damages, so the above limitations or exclusions may not apply. This warranty gives you specific legal rights. You may also have other rights that vary by state, province, or nation.

REPLACEMENT PARTS

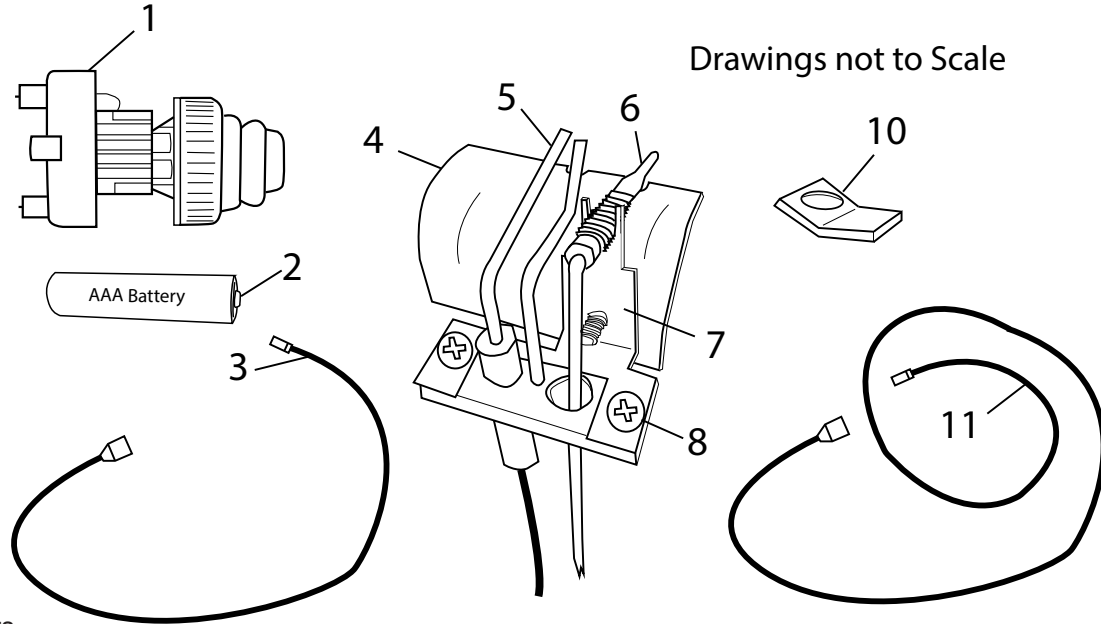


Diagram 1 - Parts

#	Description & Part Number	#	Description & Part Number
1	(1) Manual Spark Ignitor Module (3042-RB)	6	(1) Thermocouple (ST3-040-1025)
2	(1) AAA Battery (BATTAAA)	7	(1) Rainshield bracket (VCS-5000DSIB01)
3	(1) Extension wire - (PIEZO23WH)	8	(2) 10x24 Pan head screw (ST3-113-1019)
4	(1) Burner rainshield (RAINSHIELD)	9	(2) 10x24 nut with #8 (not shown) (ST3-113-1020)
5	(1) 2-Probe Spark Ignitor (VCS-5000DSI2P01)	10	(1) Ground tab for ignitor (GROUNDTAB)
		11	(1) Extension wire - (PIEZO48WH)

FOR TECHNICAL SERVICE CONTACT:

(855) 498-8324

Firegear Outdoors
9230 Conservation Way
Fort Wayne, IN 46809
(888) 672-8929

Web Site: www.firegearoutdoors.com

