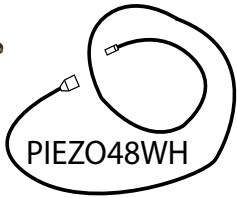
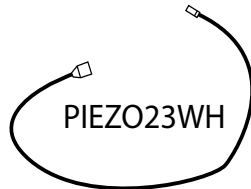




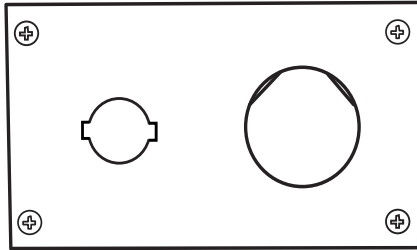
Pan Screws,  
Washers,  
Nuts



PIEZO48WH



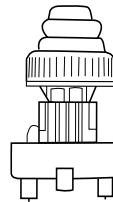
PIEZO23WH



Mounting Plate



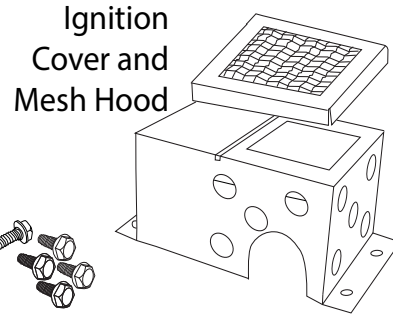
AAA Battery



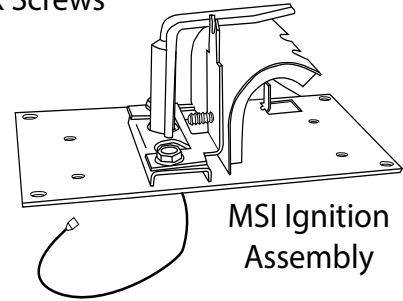
Ignitor Module  
(Piezo)



Hex Screws



Ignition  
Cover and  
Mesh Hood



MSI Ignition  
Assembly

**MODEL: MSI-BSMTI**

## Manual Spark Ignition (MSI) Kit

For use only with Firegear Outdoors  
MatchThrow (MT) Fire Pit Pans with Burning Spur

### Installation and Operating Instructions

**IF YOU CANNOT READ OR UNDERSTAND THESE INSTALLATION INSTRUCTIONS  
DO NOT ATTEMPT TO INSTALL OR OPERATE THIS APPLIANCE**



**Warning:** For Outdoor Use Only

NATIONAL  
FIREPLACE  
INSTITUTE



CERTIFIED  
[www.nficertified.org](http://www.nficertified.org)

We recommend that our gas  
hearth products be installed  
and serviced by profes-  
sionals who are certified in  
the U.S. by the National  
Fireplace Institute® (NFI) as  
NFI Gas Specialists.

**PLEASE RETAIN THIS MANUAL FOR FUTURE REFERENCE**

**PRODUCT DESCRIPTION:** This MSI-BSMTI kit is designed to be installed with a Firegear Outdoors Match Throw (MT) fire pits burner system only. The key valve (not supplied) installs next to the Piezo ignitor in the mounting plate. The MSI assembly installs into the pan in one piece. The manual spark ignitor module uses one AAA battery (provided) and provides a spark to light the fire pit by simply pressing the red button.

## PREPARING THE FIRE PIT BURNER PAN FOR THE 2-PROBE SPARK IGNITOR

**Tools Needed:** Power Screwdriver with a,  $\frac{5}{16}$ " hex head tip or a  $\frac{5}{16}$ " nut driver.

**CAUTION:** Turn OFF main gas supply before installing.

**Step 1:** Remove the burner pan from the enclosure (if applicable) or remove the fire pit from the carton.

**Step 2:** Invert the burner pan up side down and remove the four hex head screws from the cover plate. See Fig. 1. Discard cover plate after removal.

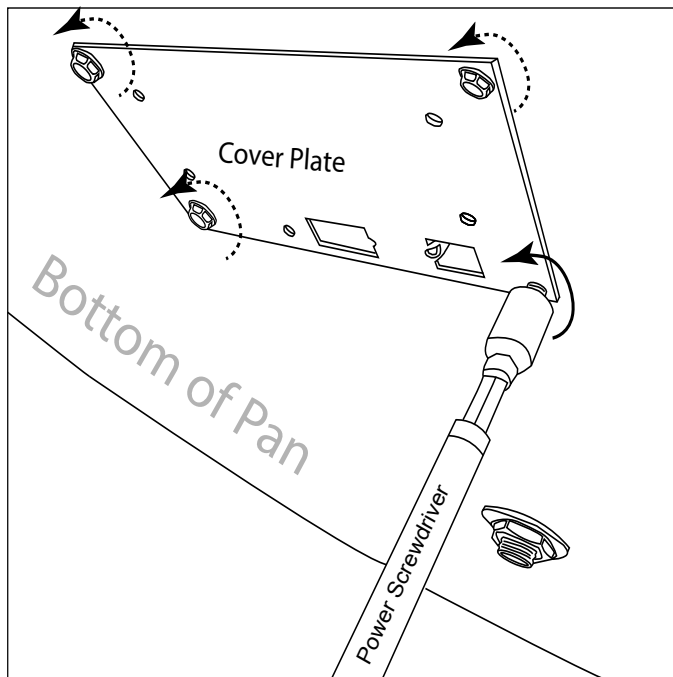


Fig. 1. Removing 4 cover plate screws.

**Step 3:** Install the MSI ignition assembly from the bottom of the pan as shown in Fig. 2. **Note:** The hood will slide over top of the burner leg as shown in Fig. 3.

**Step 4:** Secure the MSI ignition assembly to the pan using the four previously removed screws. **Note:** The metal tab aligns the burner leg underneath the spur hood as shown in Fig. 3.

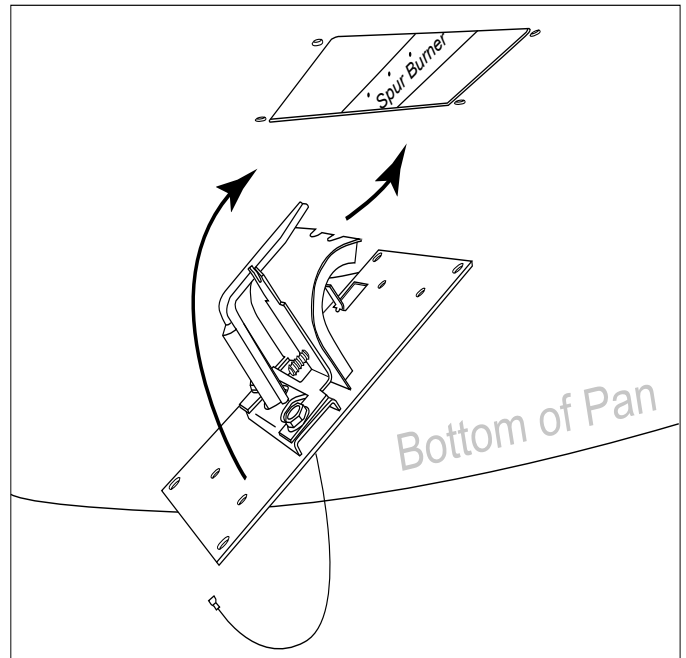


Fig. 2. Installing MSI assembly into bottom of pan.

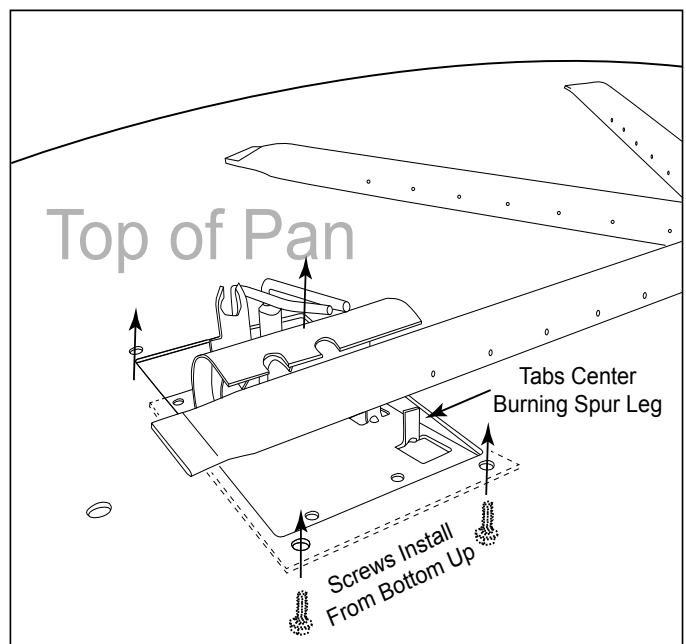
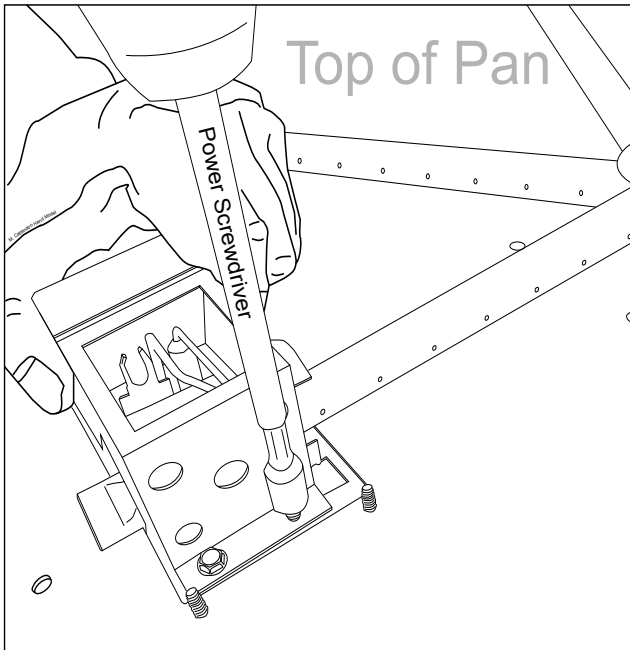


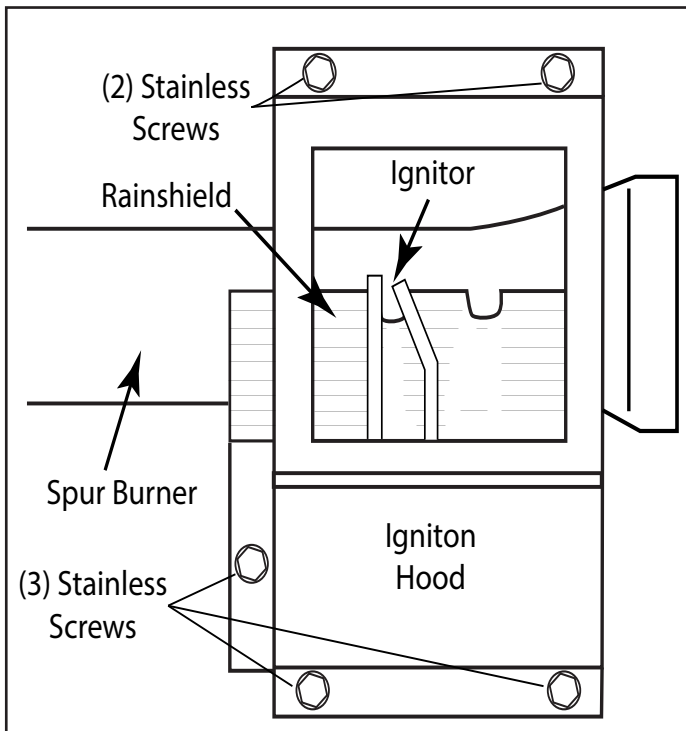
Fig. 3. Installing screws from bottom of pan.

**Step 5:** Using a power screwdriver install the ignition hood overtop of the MSI assembly plate. See Fig. 4. Align the five holes from the ignition hood to the five hole of the assembly plate, then secure in place with provided screws.



**Fig. 4** Installing ignition hood.

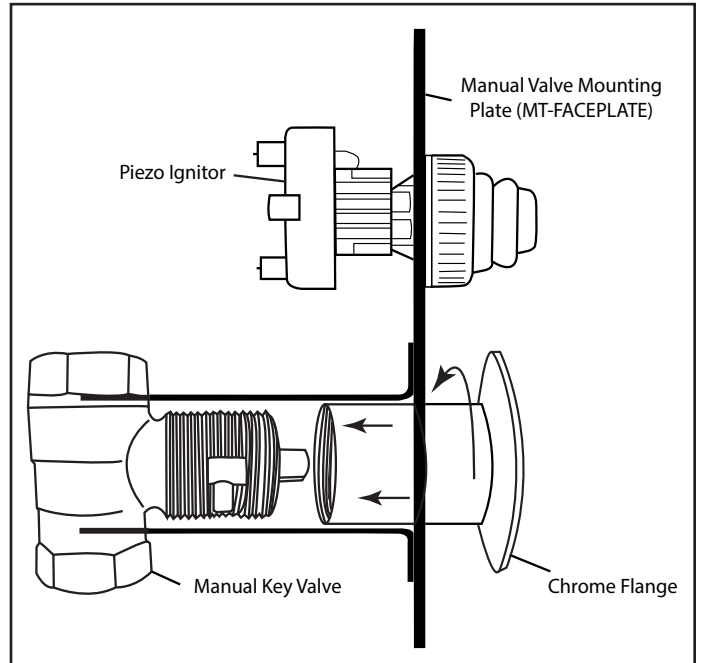
**Step 6:** After securing the five hex screws into place, check top of the igniton hood to verify the probes are centered overtop of notch of the rainshield. This will provide proper ignition when using the Piezo. See Fig. 5.



**Fig. 5** Ignition hood installed; ignitor inspection.

**Step 7:** Install the manual key valve into the mounting plate as shown in Fig. 6. Mount the valve from the back side of the mounting plate and thread the chrome flange through the front to secure the key valve into place.

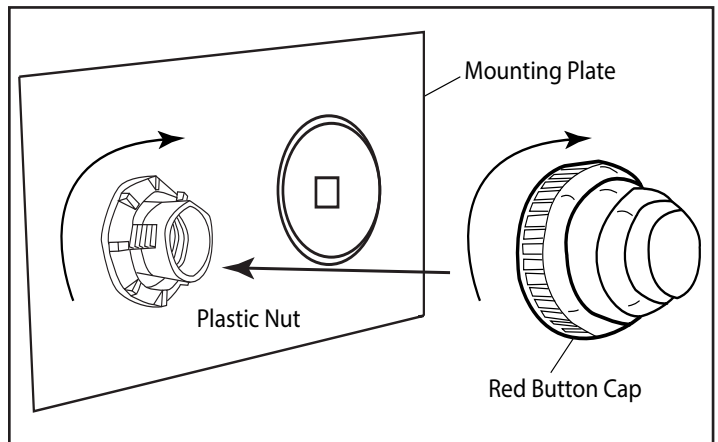
**Note:** The fire pit manual can provide additional detail for mounting the key valve.



**Fig. 6** Installing the key valve into the mounting plate.

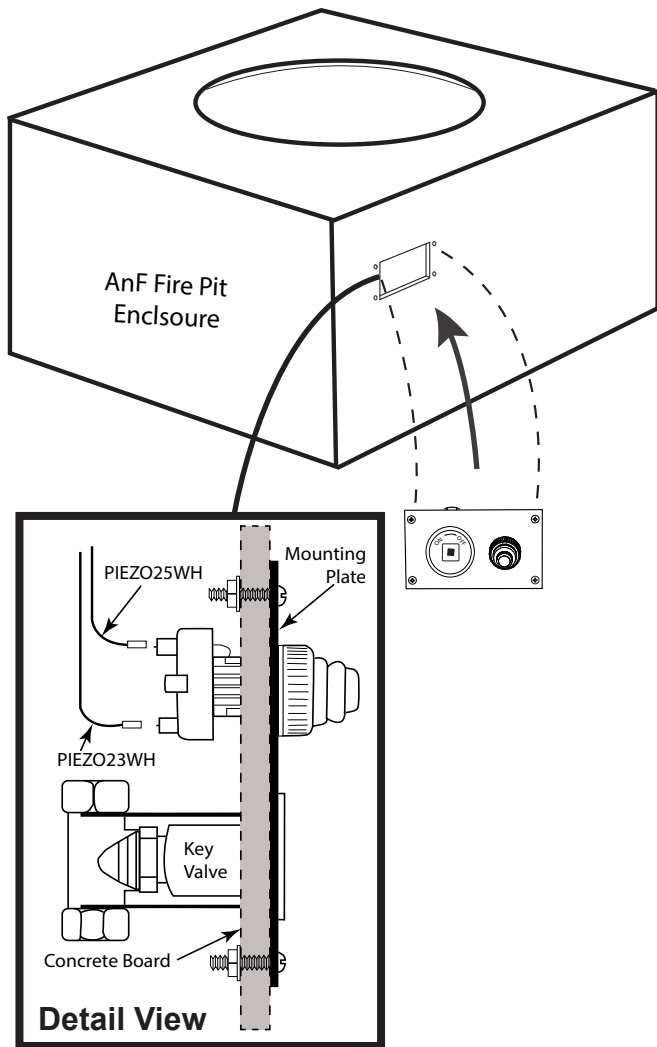
**Step 8:** Install the manual spark ignitor module (Piezo) from the back side of the mounting plate and secure it with the plastic nut on the front side as shown in Fig. 7.

**Note:** Ensure you align the tabs on the ignitor module with the notches in the mounting face plate.



**Fig. 7** Installing the manual spark ignition module (Piezo) into mounting plate.

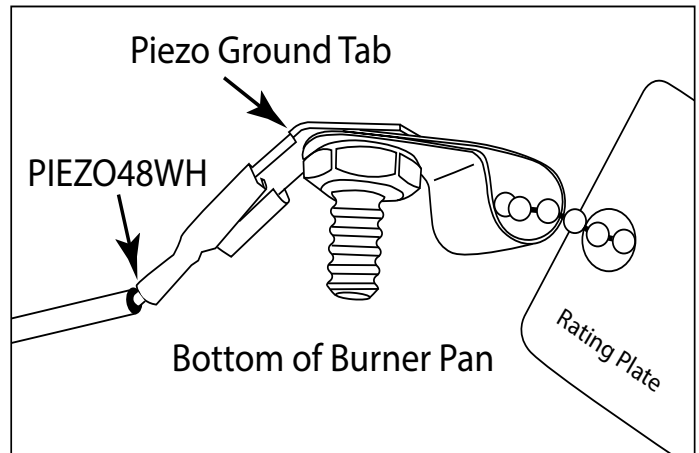
**Step 8:** Determine a location to install the mounting plate into the fire pit enclosure. See Fig. 8. The location should be within 40-inches of the ignition hood on the fire pit. This is to ensure there is enough wires to reach to each connection. On the back of this manual is a 1:1 template for use when cutting out the hole for the mounting plate.



**Fig. 8** Shows mounting plate installation.

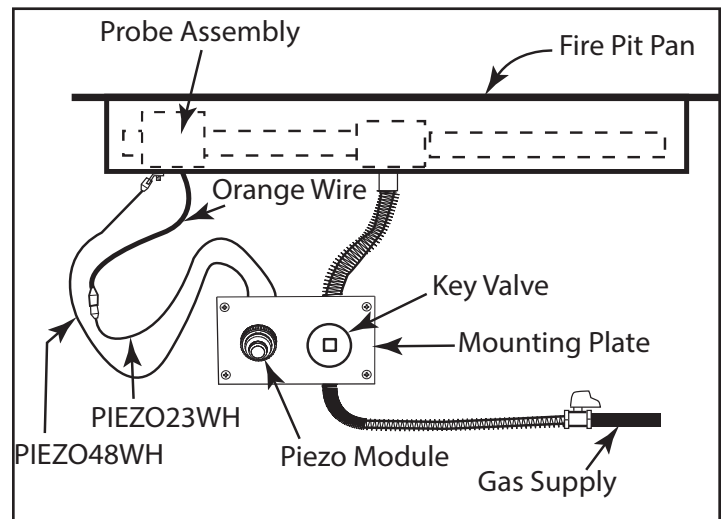
Before installing the mounting plate connect the wires as shown in Fig. 8 and follow the remaining instructions for final assembly. Ensure you have run the gas connections according to the fire pit install manual.

**Step 9:** Locate the Piezo ground tab. It will be attached to the screw holding the fire pit rating plate. See Figs. 9 & 10. Connect one end of the PIEZO48WH wire to the ground tab. **Note:** Ensure screw and nut are tight securing the ground tab..



**Fig. 9** Piezo ground tab location.

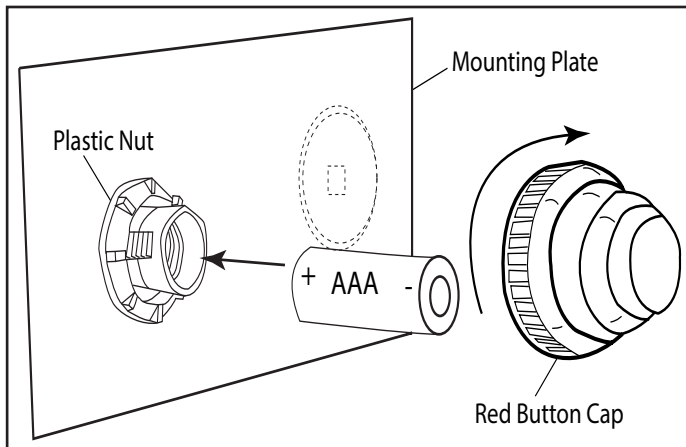
**Step 10:** When making connections for MSI-BSMTI Kit use the wiring diagram below (Fig. 10) for proper wiring.



**Fig. 10** Shows wiring of PIEZO48WH.

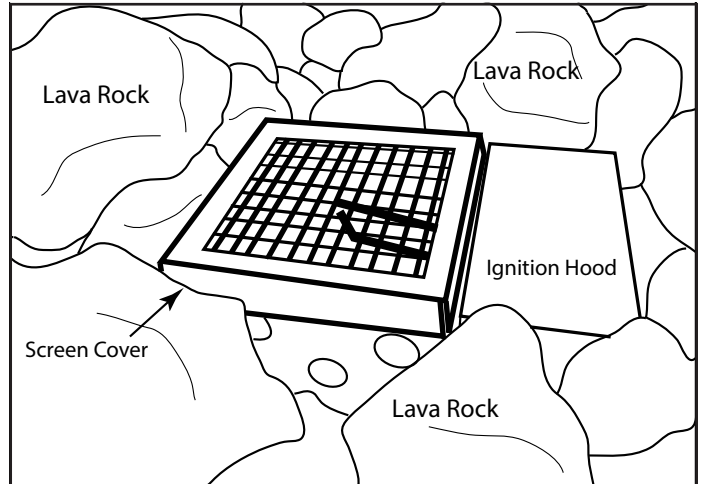
**Step 11:** Once the wiring and gas connections are complete then install the mounting plate with the screws, washers and nuts as shown in Fig. 8 detail view.

**Step 12:** Install the AAA battery into the manual spark ignition module (Piezo). See Fig. 11. Ensure not to over-tighten the “red” button cap. These are plastic thread and can strip easily if not careful.



**Fig. 11** Installing battery into Piezo.

**Step 13:** Install the screen mesh cover overtop of the ignition hood. See Fig. 12. Ensure media does not block cover.



**Fig. 12.** Mesh screen cover installed on ignition hood.

**Step 14:** Installation is now complete.

## LIGHTING INSTRUCTIONS

### READ ALL LIGHTING INSTRUCTIONS BEFORE ATTEMPTING TO LIGHT FIRE PIT

**CAUTION:** ENSURE YOU HAVE LEAK TESTED THE FIRE PIT BEFORE OPERATING.

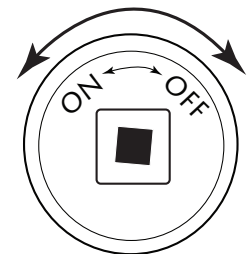
### LIGHTING INSTRUCTIONS

#### READ ALL WARNING AND SAFETY INFORMATION ABOVE BEFORE ATTEMPTING TO LIGHT FIRE PIT

**CAUTION:** Ensure you have leak tested the fire pit before operating.

#### TURNING ON FIRE PIT

1. Insert key into shut-off valve and secure into square end (see Figs 12 & 13).
2. Press the red Piezo button inward and hold. Wait till you hear it sparking.
3. Turn the key counter-clockwise in gas valve (until it stops) to allowing gas to flow and to light the fire pit. After fire pit lights release the red Piezo button.
4. Gas should ignite within 10 seconds or less. If fire pit does not light within 10 seconds turn key clockwise to turn **OFF** the gas supply and try again in 5 minutes.

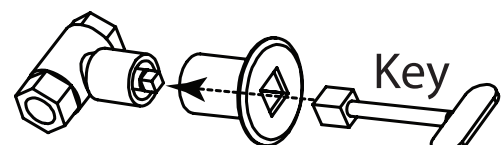


**Fig. 12.** Key Valve Face

If the burner does not light, check to ensure there is not too much media on top of the burner to inhibit gas flow.

#### TURNING OFF FIRE PIT

1. Insert key into shut-off valve and secure into square end.
2. Turn key clockwise until it stops.
3. After cooling off install cover (if applicable).



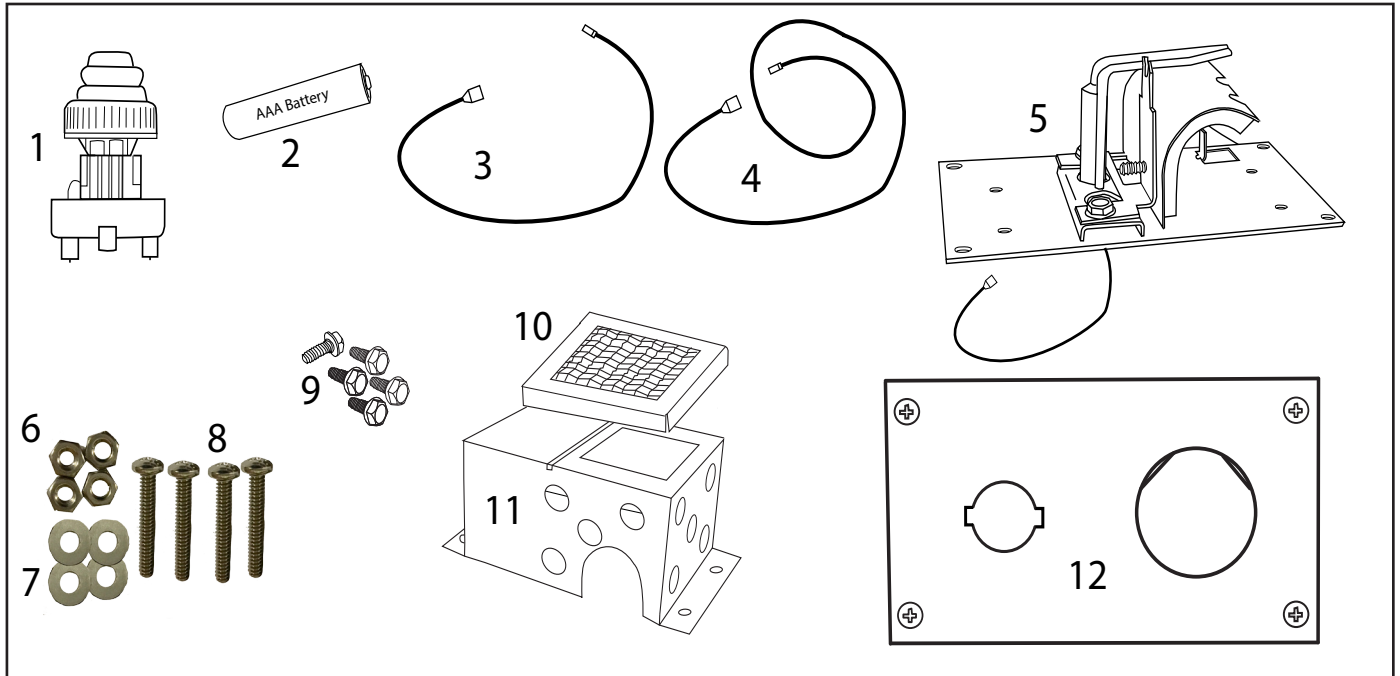
**Fig. 13** Inserting Key into Valve

## LIMITED WARRANTY

Firegear Outdoors warrants the MSI-BSTMS Kit for 12 months from date of purchase or installation to original purchaser to be free from defects in materials and workmanship. Damage to the MSI-BSTMS Kit caused by accident, misuse, abuse, or installation error, whether performed by a contractor, service company, or owner, is not covered by this warranty.

Firegear Outdoors will not be responsible for labor charges and/or damage incurred in installation, repair, replacement, or for incidental or consequential damage. Some states, provinces, and nations do not allow exclusion or limitations of incidental or consequential damages, so the above limitations or exclusions may not apply. This warranty gives you specific legal rights. You may also have other rights that vary by state, province, or nation.

## REPLACEMENT PARTS



### REPLACEMENT PARTS LIST

#	Description & Part Number	#	Description & Part Number
1	(1) Manual Spark Ignitor Module (3042-RB)	7	(4) #10 Stainless Steel flat Washer (WASHER10SS)
2	(1) AAA Battery (BATTAAA)	8	(4) 1.25" Phillips Pan Head (SCREW1024PANSS)
3	(1) Extension wire (PIEZO23WH)	9	(5) 10-24 x 1/2" SS Thread Cutting Screw (ST3-113-1028)
4	(1) Extension wire (PIEZO48WH)	10	(1) Mesh Screen Hood (ST3-100-1027)
5	(1) MSI Ignition Assembly (MSI-IGNT-ASSEMBLY)	11	(1) Ignitor Cover (SPURHOOD)
6	(4) 10x24 Stainless Steel Nut (ST3-113-1020)	12	(1) MT Mounting Plate (MT-FACEPLATE)

**FOR TECHNICAL SERVICE CONTACT:**

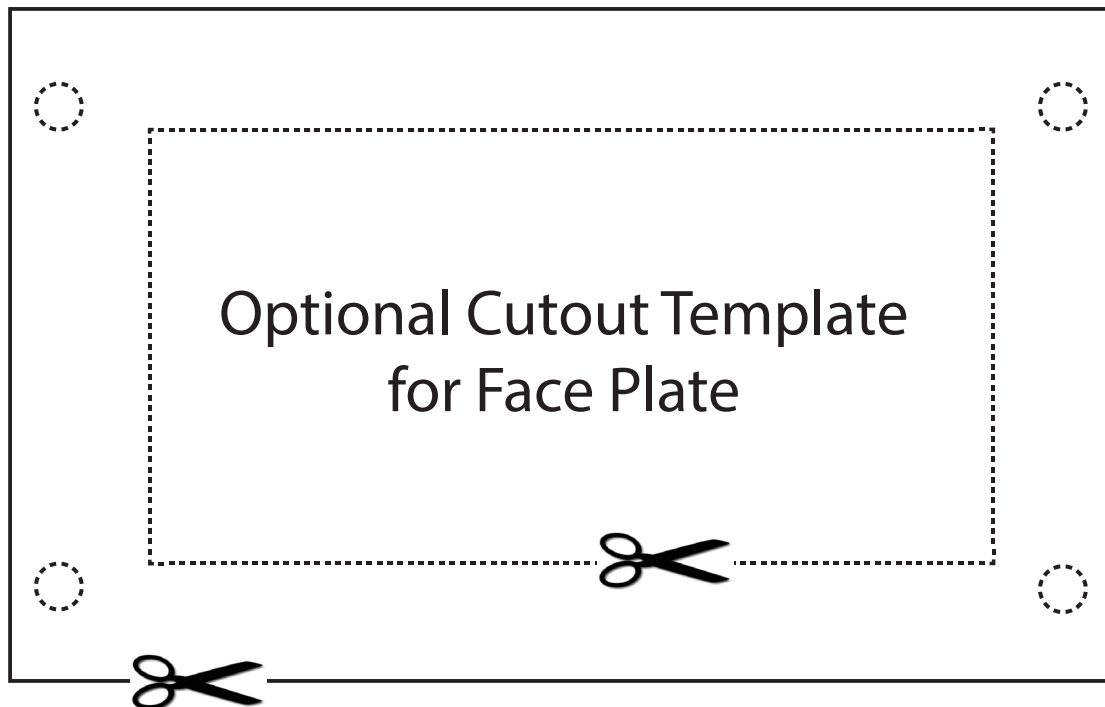
(855) 498-8324

Firegear Outdoors  
9230 Conservation Way  
Fort Wayne, IN 46809

Sales Support: 888-699-6167

Web Site: [www.firegearoutdoors.com](http://www.firegearoutdoors.com)





This instruction provides an option to mount the face plate to concrete board. Use the template above to complete the installation.

The face plate can be mounted vertically or horizontally.

Using scissors carefully cutout the template and trace it on your concrete board. The dotted line provides the cutout area to mount face plate. Use a concrete drill bit to drill (4) 3/16" diameter holes. Install the 1¼" stainless screws through the front of the faceplate with the nuts and washers on the backside. These are all provided in the hardware bag.

**CAUTION:** Careful not to over-tighten screws and nuts to ensure the cement board does not crack or break.