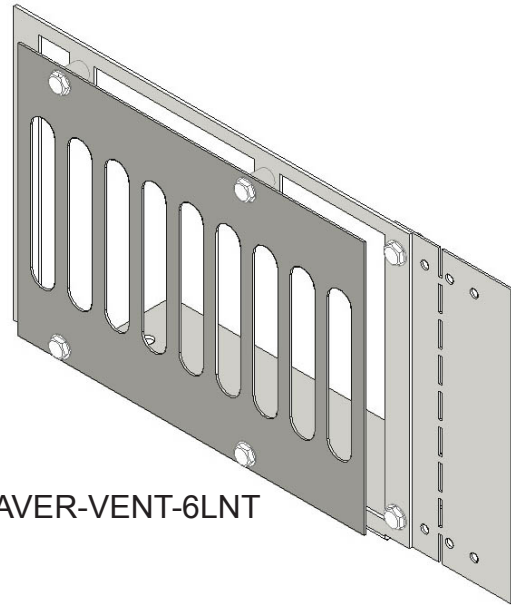


PAVER-VENT-4LNT



PAVER-VENT-6LNT

MODELS: PAVER-VENT-4LNT
PAVER-VENT-6LNT

PAVER VENT KIT WITH LINTEL

Vents for use with patio pavers. Each vent when installed properly will provide a minimum of 18-square inches of ventilation per vent

Installation Instructions

**IF YOU CANNOT READ OR UNDERSTAND THESE INSTALLATION INSTRUCTIONS
DO NOT ATTEMPT TO INSTALL THESE VENT KITS**



DESCRIPTION: These vents are designed to be used with most paver block fire pit enclosures and can be installed as a universal vent for other applications such as grill islands, fire table or bars. The vents provided with this kit provide a minimum of 18-square inches per vent.

The lintel (page 3) is a 3" x 12" piece of sheet metal used to support the back side of the paver blocks.

Many fire pits require a minimum of 18 square inches of cross ventilation (see Fig.1). This cross ventilation provides several things: 1. It allows fresh air to keep the enclosure dry and protect any electronic components to ensure they operate and function as designed. 2: It provides an outlet for possible gas leaks and can prevent any potential delayed ignitions. 3. It assist in keeping the enclosure cooler due to radiant heat that can occur during operation.

In some cases the extension bracket may be not needed because the vent can be recessed inside the blocks to help camouflage them. Two vents per fire pit are required on each side of enclosure to ensure cross ventilation.

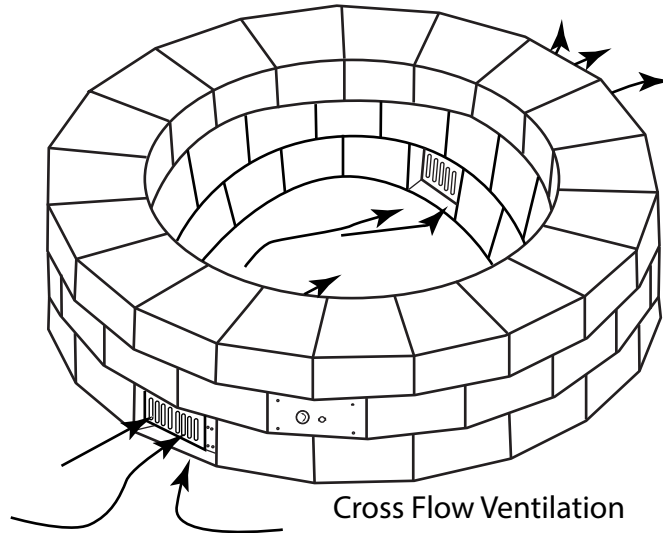


Fig. 1 Cross ventilation example

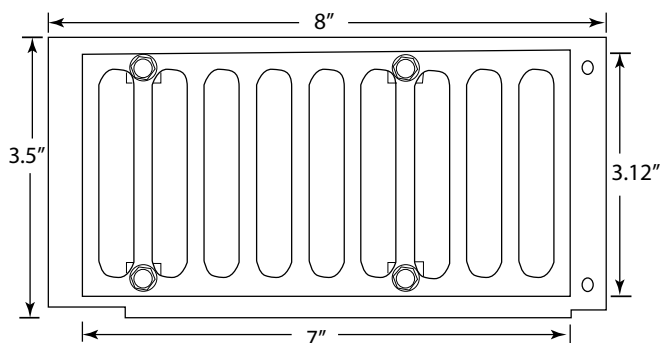


Fig. 2 PAVER-VENT - 4LNT

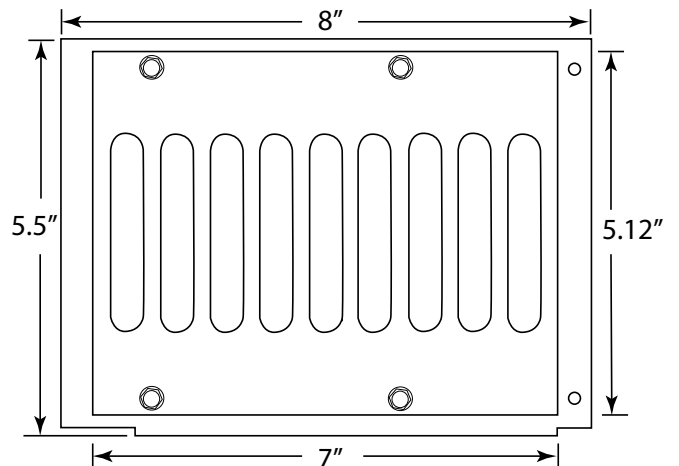
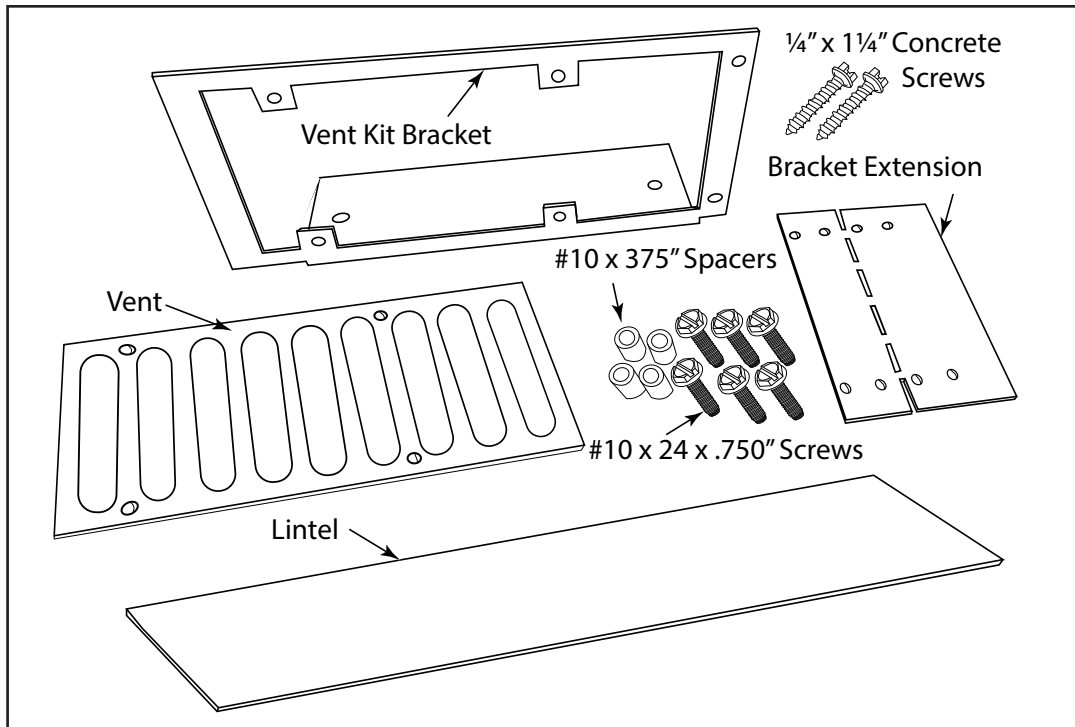


Fig. 3 PAVER-VENT- 6LNT



Part Identification

PAVER-VENT-4 PART #	PAVER-VENT-6 PART #	DESCRIPTION	Qty.
PAVER-VENT-4A	PAVER-VENT-6A	Vent kit bracket	2
PAVER-VENT-4B	PAVER-VENT-6B	Vent	2
PAVER-VENT-4C	PAVER-VENT-6C	Bracket extension	2
#10 x 3/75"	#10 x 3/75"	Aluminum spacer	8
#10 x 24 x 750"	#10 x 24 x 750"	Hex black screw	12
SCREW.25MASONRY	SCREW.25MASONRY	1/4" x 1 1/4" Concrete screws	4
PAVER-VENT-LINTEL	PAVER-VENT-LINTEL	3"x12" Metal support	2

Table 1

NOTE: Drawings above depict total parts for one vent. Actual quantities listed in Table 1 are for two vents which come with each kit.

PRECAUTION: The vent bracket is designed to be mounted to a paver block by drilling two holes and securing it into place with two concrete screws. If you desire to place the vent in the first row of patio blocks you may need to install a block below grade level to secure the vent bracket into place.

Place the lintel across back side of the paver block to support your next row of blocks. See the shaded area in Fig. 4 showing the placement of the lintel. Securing the lintel with some type of adhesive is optional.

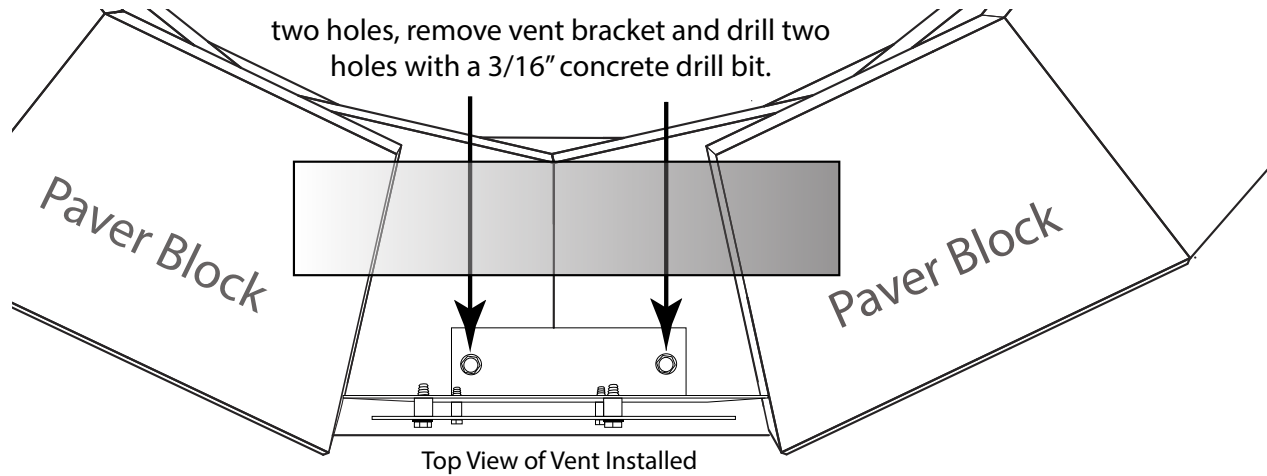


Fig. 4 Top view of vent installed with lintel (shaded area) supporting the back side.

STEP 1: Determine the best location to install the paver vent in your enclosure.

STEP 2: Remove one block from your fire pit enclosure then measure the width between the opening. Depending on the block width the vent bracket can be adjusted to fit various openings. **NOTE:** When installing it is recommended (but not required) to recess the vent bracket an inch or two to help camouflage the vent and keep it in a lower area of the enclosure. Vent can also be painted to match block if desired.

The bracket extension can be used to extend the vent bracket from 8-inches wide up to 10-inches wide if necessary. The holes in the bracket extension allow for 1/2" increments for width adjustment. Fig. 5 shows the extension in the properly oriented position. If the extension bracket is installed and your are using any of the holes numbered 3 & 4, the perforated area should be bent and broken off (removed) to ensure you are not obstructing the vent bracket opening.

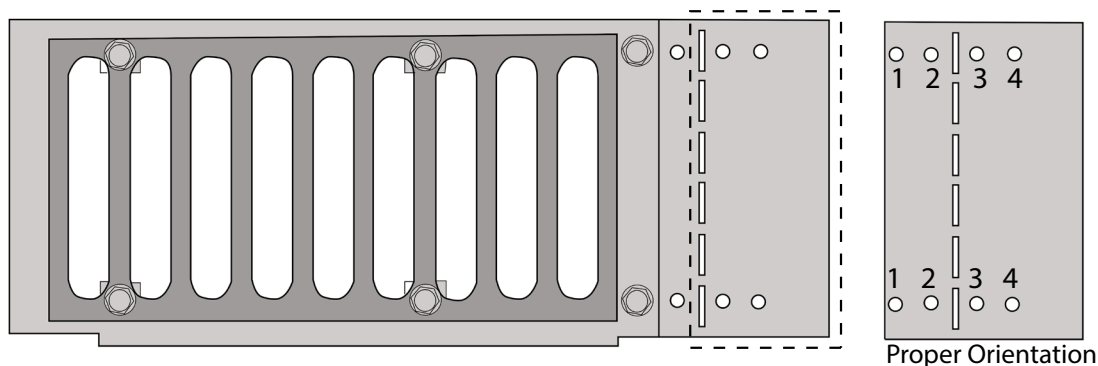


Fig. 5 Extension bracket installed

STEP 3: After you have determined the location and measured the width, install the vent kit bracket and mark the inside area as shown in Fig. 4.

STEP: 4 Drill the two holes with a 3/16" concrete drill bit and secure the paver kit control panel with concrete screws. Fig.5 shows front view.

STEP 5: Install the bracket extension (if needed) with two black hex screws behind the lip of the vent bracket, then secure the vent to the vent bracket using the spacers and screws with this kit (See Fig. 6). The use of the spacers is imperative because without them 18 square inches of ventilation per vent will not be obtained (See Fig. 7).

STEP 6: Repeat steps 1 thru 5 for the other vent.

STEP 7: Your vent installation is now complete.

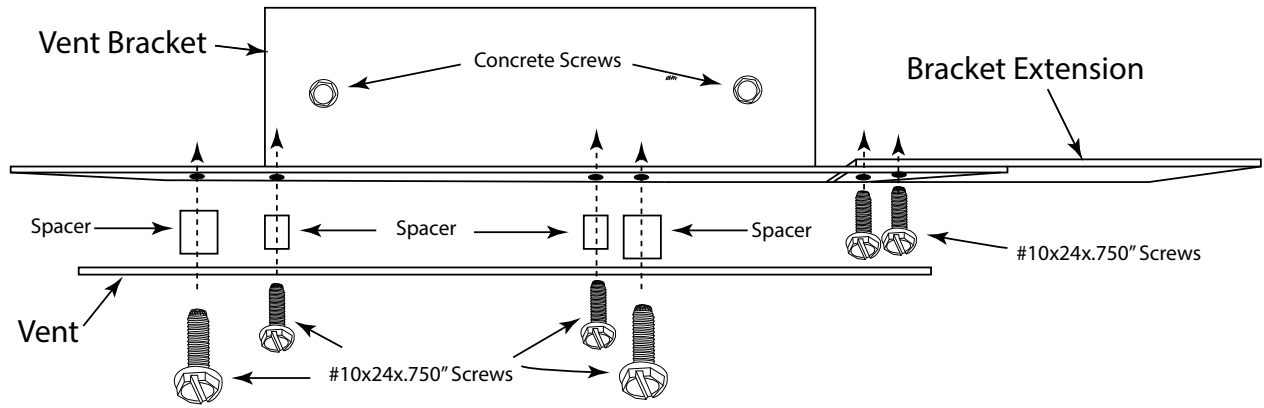
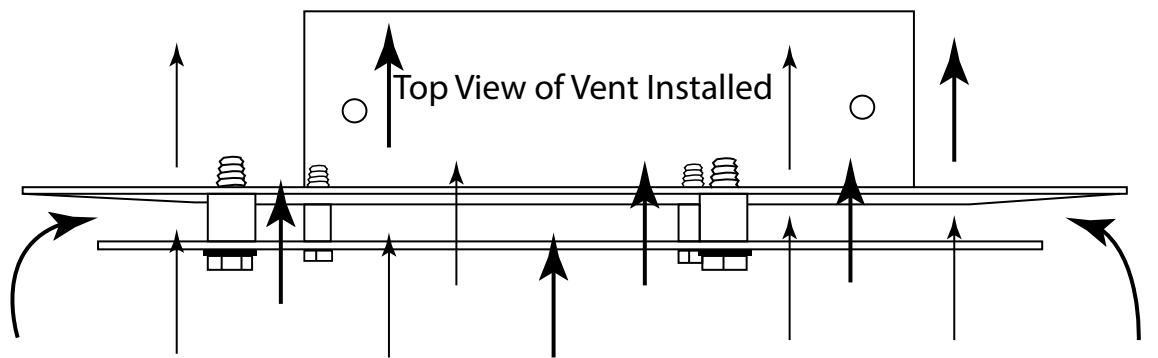


Fig. 6 Vent assembly to vent bracket (top view)



Air flows through and around the vent with the spacers installed to provide 18 square inches of cross ventilation for one side of the enclosure.

Fig. 7 Shows proper air flow when vent is installed

FOR TECHNICAL SERVICE, CALL: (855) 498-8324

Firegear Outdoors
9230 Conservation Way
Fort Wayne, IN 46809
For Sales: (888) 672-8929

Tech Support E-mail: www.support@firegearoutdoors.com

WEB SITE: www.firegearoutdoors.com

