

MODEL:
PAVER-CP-TMSI

PAVER CONTROL PANEL - TMSI

Stainless Steel Control Panel for use with Fire Pits built with Patio Paver Blocks

Installation and Operating Instructions

**IF YOU CANNOT READ OR UNDERSTAND THESE INSTALLATION INSTRUCTIONS
DO NOT ATTEMPT TO INSTALL OR OPERATE THIS PRODUCT**



Warning: For Outdoor Use Only



We recommend that our gas hearth products be installed and serviced by professionals who are certified in the U.S. by the National Fireplace Institute® (NFI) as NFI Gas Specialists.

PLEASE RETAIN THIS MANUAL FOR FUTURE REFERENCE

Table of Contents	
Description	Page 1
General Instructions	Page 2-3
PAVER-CP-TMSI	Page 3-6
Replacement Parts	Page 7
Warranty	Page 8

DESCRIPTION: The Paver Kit face plate bracket (control panel) is designed to install in conjunction with a typical Patio Block fire pit kit (purchased separately). It installs underneath the fire pit pan or disc in place of one patio block. The control panel itself provides a convenient location to house the gas valve and Piezo ignition (if applicable) then is easily removed for servicing.

PRECAUTION: Ensure the PAVER-CP-TMSI control panel is within 40-inches of the 2-probe Piezo ignitor. This will allow enough "play" in the wires to make your connections. See Fig. 9.

TOOLS NEEDED: (1) Drill/driver, Gas Rated Teflon Tape or Compound, 5/16" Hex head driver, (1) 3/16" Concrete Drill Bit, (2) Adjustable Wrenches, Assorted Open-end Wrenches

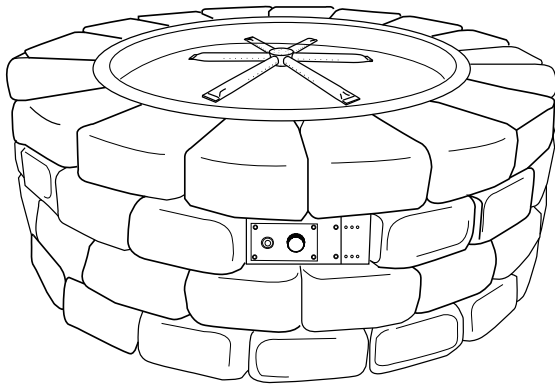


Fig. 1 Paver kit with fire pit pan.

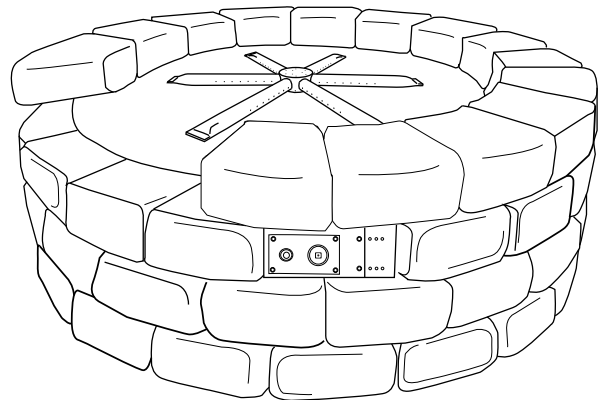


Fig. 2. Paver kit with fire pit flat disc.

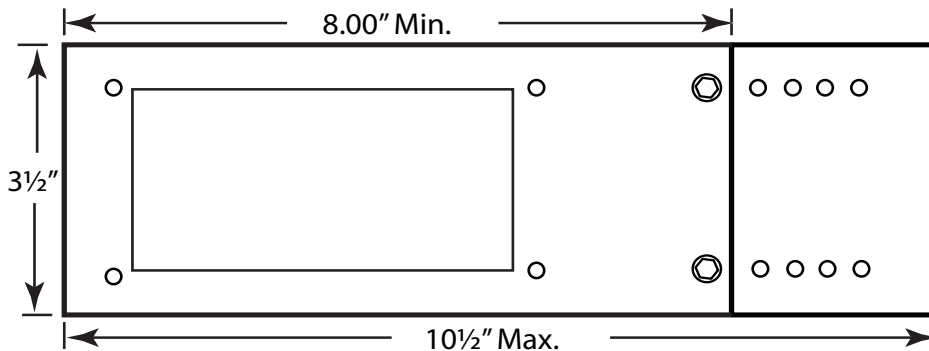


Fig 3. Paver Kit Control Panel Dimensions

DIMENSIONS: The Paver Kit bracket and extension will fit an opening with a maximum of 10 1/2" wide x 3 1/2" tall. Without the Bracket Extension plate the maximum width is 8.00" wide. The holes in the Extension Bracket are spaced every 1/2".

GENERAL INSTRUCTIONS

NOTE: This section provide a general installation of the Paver Kit Control Panel. See Table of Contents for specific instruction for your application. Follow the directions from your paver block fire pit kit to build the actual fire pit. Depending on your fire pit pan (flat disc or pan) ensure the Paver Kit control panel is installed underneath the pan or disc.

Be sure the paver patio block kit fits the opening of the fire pit pan or disc before beginning your installation.

STEP 1: Determine the best location to install the paver kit control panel per your installation.

STEP 2: Remove one block from your fire pit enclosure then measure the width between the opening. Depending on the block width the control panel can be adjusted to fit various openings. **NOTE:** When measuring it is recommended but not required to recess the control panel to protect the valve components from weather.

STEP 3: After you have determined the location and measured the width to install the Paver Kit control panel mark the inside of the control panel as shown in Fig. 4.

STEP: 4 Drill the two holes with a 3/16" concrete drill bit and secure the paver kit control panel with concrete screws.

Use the lintel to support the paver above control panel. The lintel simply lays on top of the paver as shown in Fig. 4.

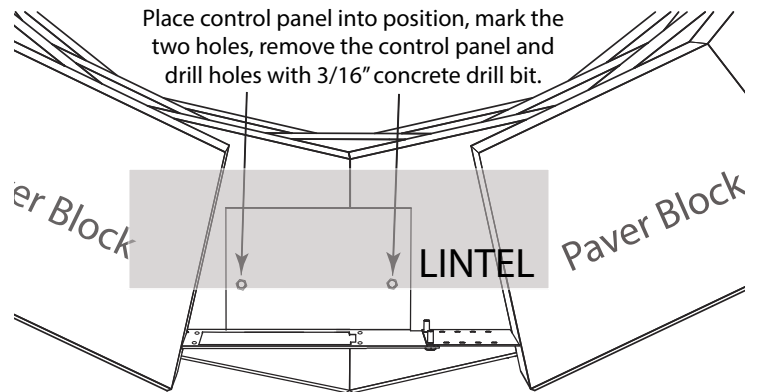


Fig. 4 Securing the control panel into the paver block. Lintel is shown in the gray shading.

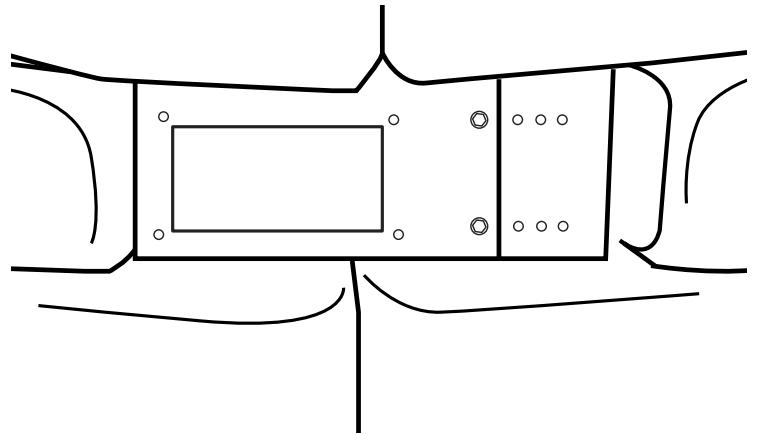


Fig. 5 Control panel installed, ready for valve bracket.

TMSI VALVE INSTALLATION

Remove the TMSI valve and bracket assembly from the plastic bag.

STEP 1: Prepare the fire pit gas valve by installing a 3/8" close nipple and 1/2" OD Flare x 3/8" brass fitting that comes with the PAVER-CP-TMSI kit into the gas inlet. Use gas rated Teflon tape or compound on the male threads. Ensure the fittings are tight to prevent any gas leaks.

CAUTION: Do not use any Teflon tape or compound on the flared ends of the fittings.

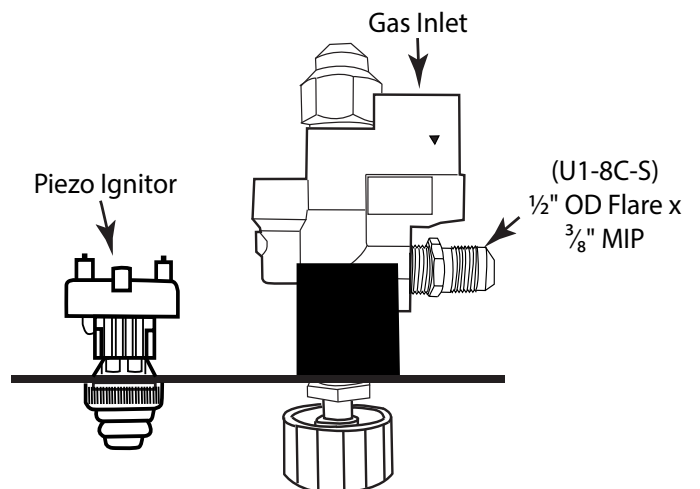


Fig. 6 Shows valve assembly removed from shipping bag.

STEP 2: Remove the 1/2" OD Flare x 3/8" brass fitting installed in the inlet side of the gas valve and install the 3/8" close nipple and black iron 90 degree elbow as shown in Fig. 7. Use gas rated Teflon tape or compound on both male threads of the nipple. Ensure the fittings are tight to prevent any gas leaks.

STEP 3: Clean off the male threads of the 1/2" OD Flare x 3/8" brass fitting, Apply gas rated Teflon tape or compound to the male threads and install it into the other end of the close nipple. See Fig. 7.

STEP 4: Install the main burner orifice on burner pan of the fire pit, and secure the flex connector to the 1/2" flared fitting. See fire pit manual.

STEP 5: Temporarily set fire pit into the enclosure to make the following connections:

A. Install flex connector to main burner orifice at bottom of fire pit then bring other end through the paver bracket.

B. Install flex connector to primary gas supply and feed the other end through the paver bracket.

C. Feed the Piezo wires through paver bracket.

See Fig 8 for details.

STEP 6: Secure the flex connectors to the gas valve and plug the Piezo wires into the back of the Piezo module.
Note: The Piezo wires are not polarity sensitive therefore they can plug into either connection of the Piezo module.

Check for gas leaks before final assembly.

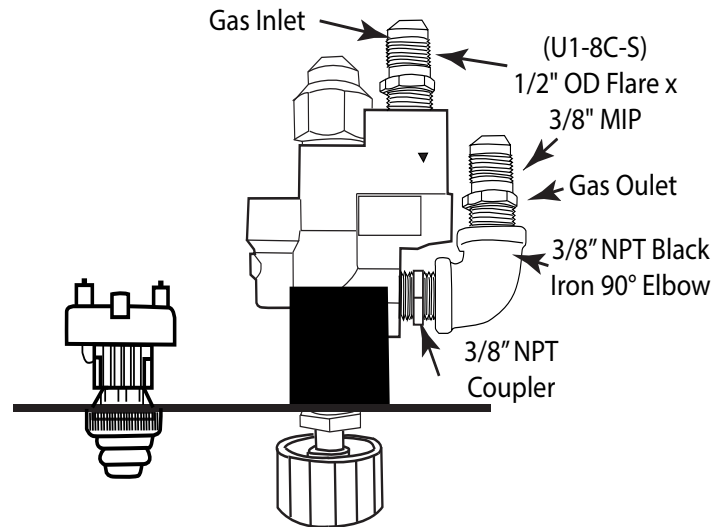


Fig. 7. Installing fittings.

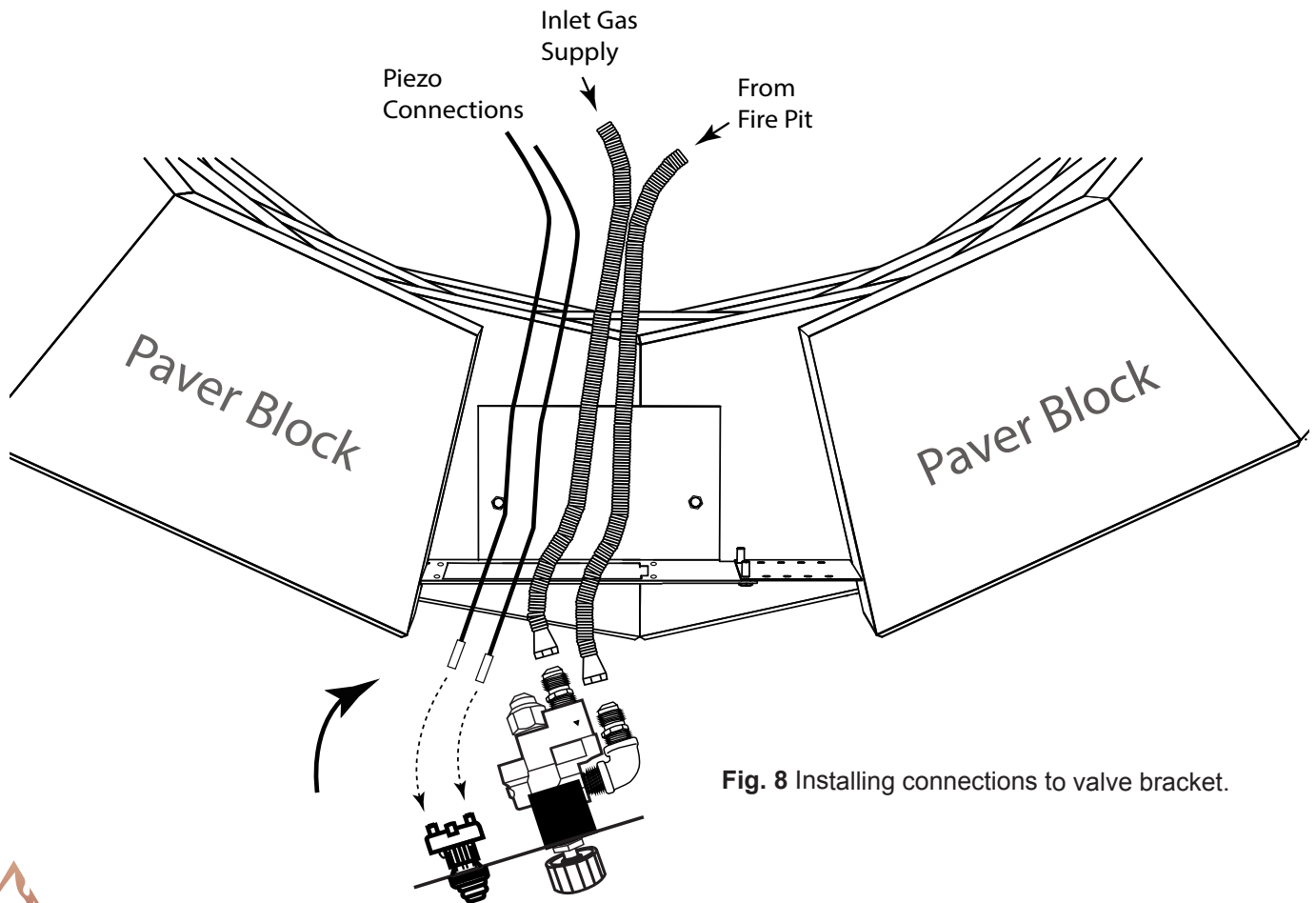


Fig. 8 Installing connections to valve bracket.

STEP 7: Once the fittings and wired are installed into the TMSI valve bracket then insert the valve bracket into Paver Kit Bracket as shown in Fig. 9.

STEP 8: Secure the TMSI valve bracket into place using the (4) stainless thread cutting screws. See Fig. 10.

STEP 9: Conduct a trial burn test and check for any gas leaks before completing the installation. See install manual of the fire pit or page 7 for lighting instructions.

STEP 10: After burn test is complete, finish the patio paver block installation per the install manual.

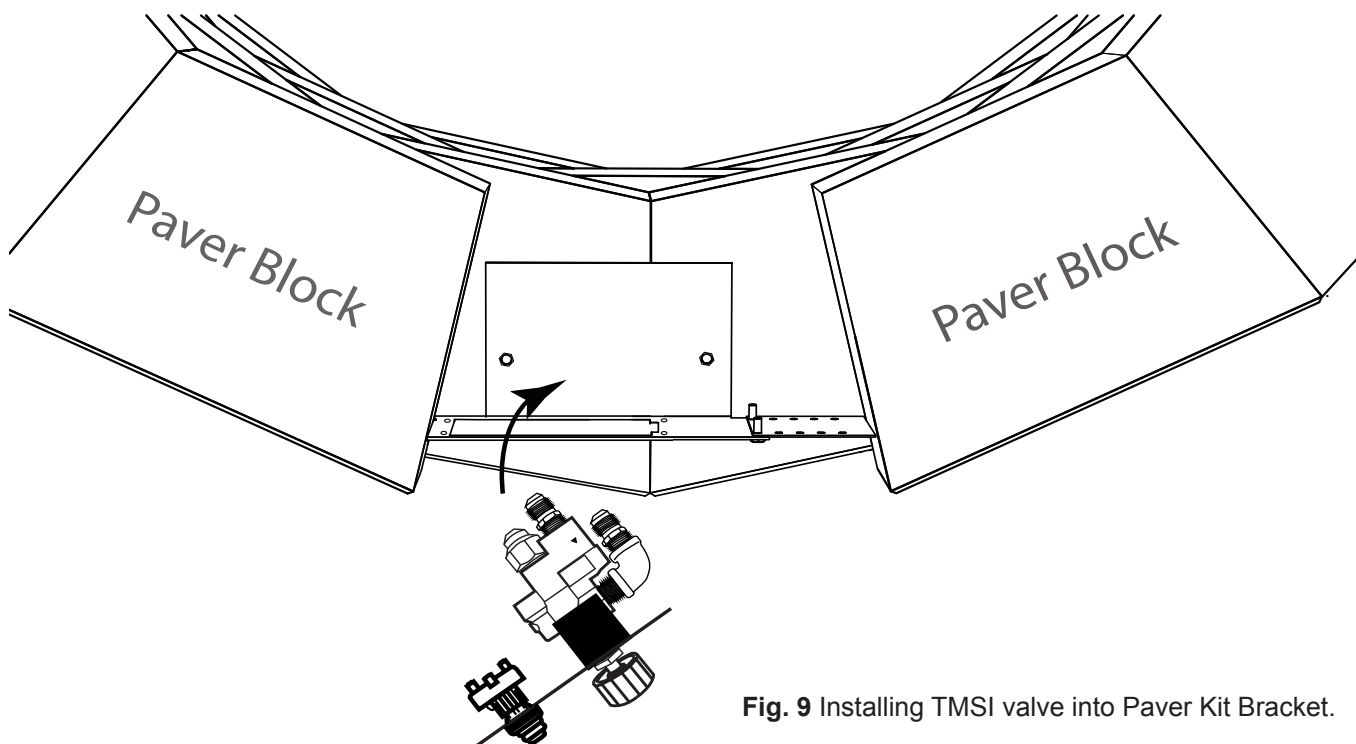


Fig. 9 Installing TMSI valve into Paver Kit Bracket.

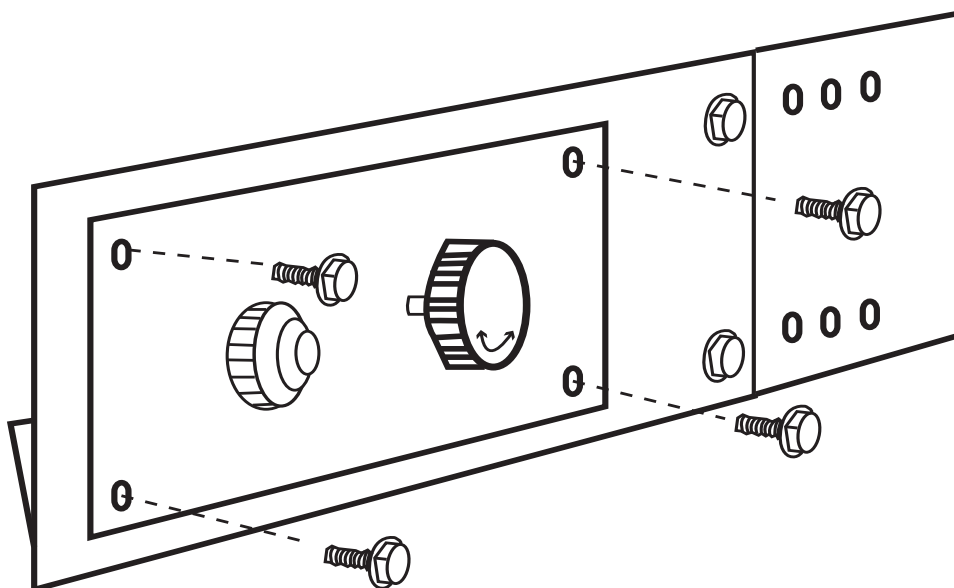


Fig. 10 Close up view securing TMSI valve bracket to control panel.

Step 13: Test the ignitor by pushing and holding the red button to ensure the 2-probe ignitor is sparking inside the ignition box in the burner pan. The spark should be located directly over top of the burner port hole for proper ignition of the gas as previously discussed. **Note:** Fig. 11 show details of the PIEZO48WH wire connection if needed.

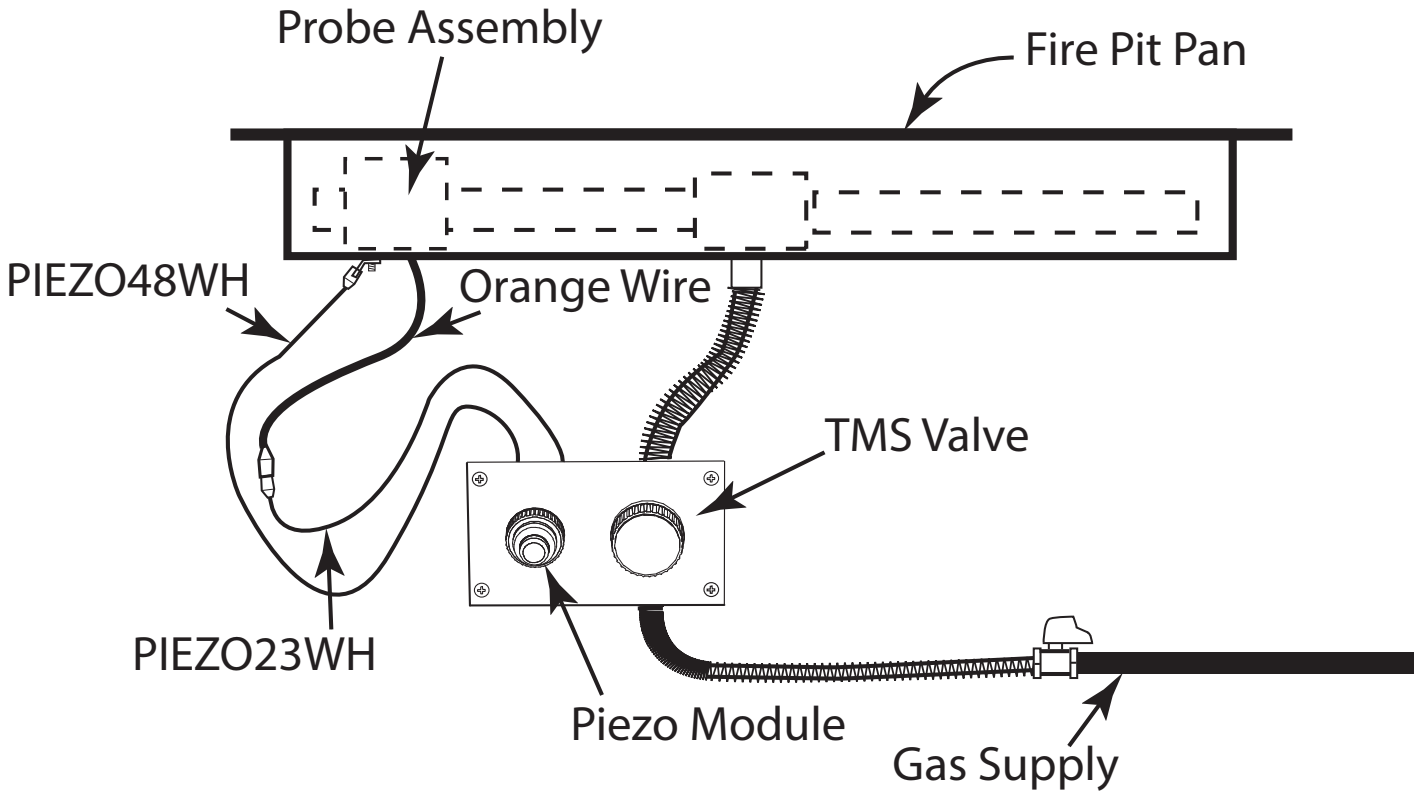


Fig. 11 Wiring diagram for complete system.

Step 14: Install the ignition hood screen. Ensure no media covers hood. See Fig. 12. Install the lava rock/media material according to fire pit install manual then turn the main gas supply back ON.

Installation is now complete.

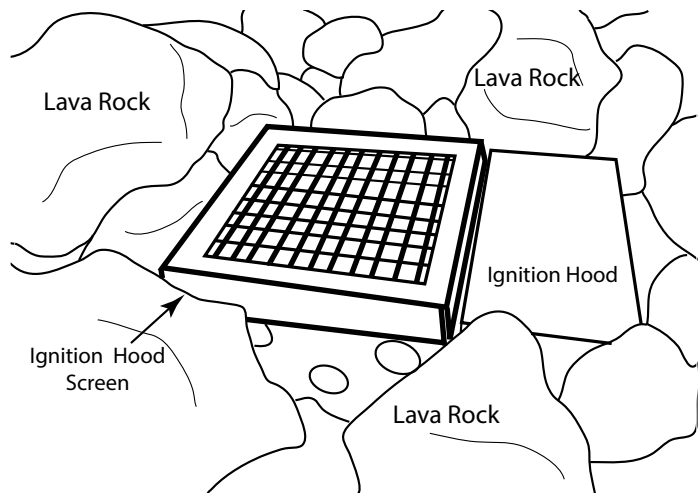


Fig. 12 Installing mesh cover on the ignitor shield.

CAUTION: ENSURE YOU HAVE LEAK TESTED THE FIRE PIT BEFORE LIGHTING AND OPERATING.

LIGHTING INSTRUCTIONS

READ ALL LIGHTING INSTRUCTIONS BEFORE ATTEMPTING TO LIGHT FIRE PIT

WARNING: Do not stand over fire pit during ignition or operation due to high surface temperatures.

TURNING ON FIRE PIT

1. Push and hold the red button on the manual Piezo ignitor and ensure sparking is occurring at the probes inside fire pit.
2. Rotate control knob on gas valve in the counter clockwise to ON position. See Fig. 13.
3. Depress control knob inward and push to light the burner.
4. Gas should ignite within 10 seconds or less. If fire pit does not light within 10 seconds turn **OFF** the gas supply. Check ignitor probe location, ensure there is an 1/8" gap between the probes with a good strong spark then repeat steps 2 through 4.
5. Turn gas supply **OFF** and wait 5 minutes. Check probes and battery if fire pit does not light.
6. Repeat steps 1-3.

TURNING OFF FIRE PIT

1. Slight push inward on control knob and turn clock wise until it stops. Fire pit will turn **OFF**.
2. After cooling off install cover.

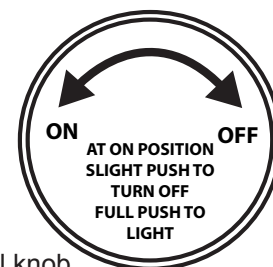
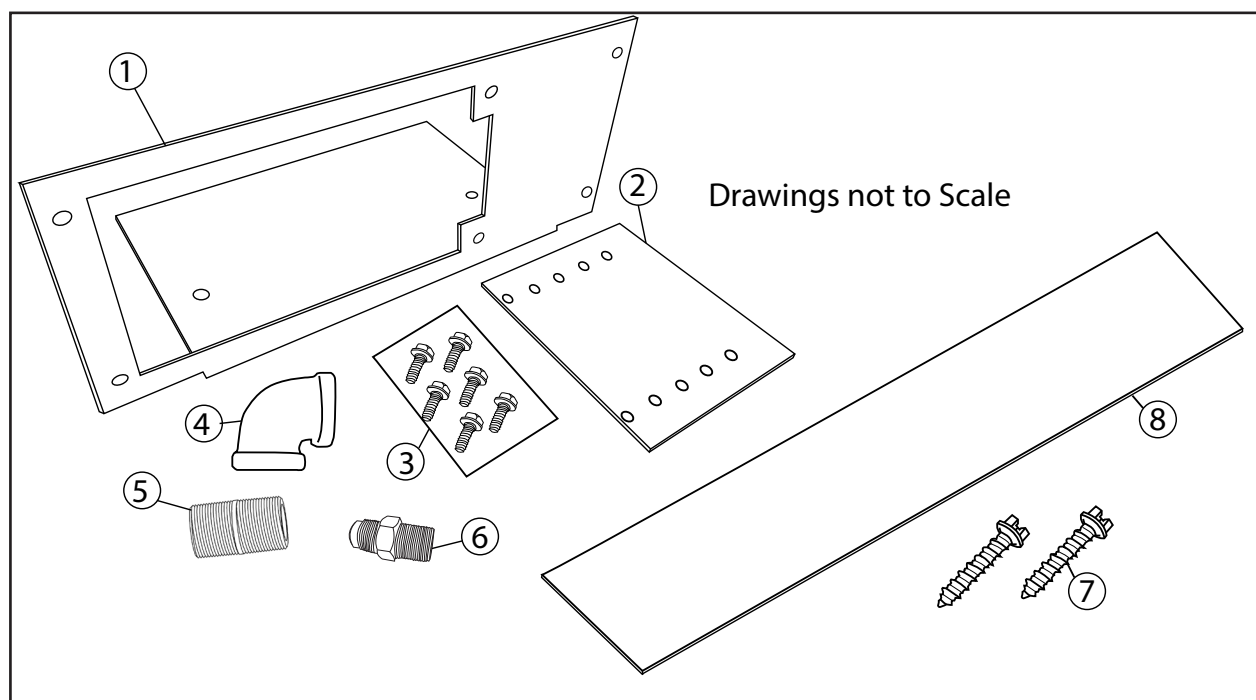


Fig. 13 TMSI control knob.

PAVER-CP-TMSI REPLACEMENT PARTS



Item #	Qty.	Description	Part Number
1	1	Paver Kit Bracket	PAVERKITBRACKET-SS
2	1	Paver Kit Bracket Extension	PAVERKITBRACKETEXT-SS
3	6	1/2" Stainless Thread Cutting Screw	SCREW1024HXSS75
4	1	3/8" NPT Black Iron 90° Elbow	BS309-6
5	1	3/8" NPT Male-Male Coupler	103-6
6	1	1/2" OD Flare x 3/8" MIP	U1-8C-S
7	2	1/4" x 1 1/4" Concrete Screws	SCREW.25MASONRY
8	1	3" X 12" Steel lintel	PAVER-LINTEL

* Some part quantities will vary depending upon kit used.

LIMITED WARRANTY

Firegear Outdoors warrants the Paver Kit for 12 months from date of purchase or installation to original purchaser to be free from defects in materials and workmanship. Damage to the Paver Kit caused by accident, misuse, abuse, or installation error, whether performed by a contractor, service company, or owner, is not covered by this warranty.

Firegear Outdoors will not be responsible for labor charges and/or damage incurred in installation, repair, replacement, or for incidental or consequential damage. Some states, provinces, and nations do not allow exclusion or limitations of incidental or consequential damages, so the above limitations or exclusions may not apply. This warranty gives you specific legal rights. You may also have other rights that vary by state, province, or nation.

FOR TECHNICAL SERVICE, CALL: (855) 498-8324

Firegear Outdoors
9230 Conservation Way
Fort Wayne, IN 46809
Sales Support: (888) 699-6167

Tech Support E-mail: www.support@firegearoutdoors.com

WEB SITE: www.firegearoutdoors.com

