

**MODELS:PAVER-CP-MT
PAVER-CP-MT-MSI**

Paver Control Panel Kits

Stainless Steel Control Panel for use with Fire Pits built with Patio Paver Blocks

Installation and Operating Instructions

**IF YOU CANNOT READ OR UNDERSTAND THESE INSTALLATION INSTRUCTIONS
DO NOT ATTEMPT TO INSTALL OR OPERATE THIS APPLIANCE**



Warning: For Outdoor Use Only



We recommend that our gas hearth products be installed and serviced by professionals who are certified in the U.S. by the National Fireplace Institute® (NFI) as NFI Gas Specialists.

PLEASE RETAIN THIS MANUAL FOR FUTURE REFERENCE

Table of Contents

Description	Page 1
General Instructions	Page 1-2
PAVER-CP-MT	Page 2-3
PAVER-CP-MSI	Page 3-5
Warranty	Page 6
Replacement Parts	Page 7

Note: Stainless steel parts have plastic film to protect the surface on one side. PEEL the plastic coating off each part before installing.

DESCRIPTION: The Paver Kit face plate bracket (control panel) is designed to install in conjunction with a typical Patio Block fire pit kit (purchased separately). It installs underneath the fire pit pan/disc in place of one patio block. The control panel itself provides a convenient location to house the gas valve and Piezo ignition (if applicable) then is easily removed for servicing.

PRECAUTION: If you are installing the MSI (Manual Spark Ignition) ensure the PAVER-CP-MT-MSI control panel is within 40-inches of the 2-probe Piezo ignitor. This will allow enough "play" in the wires to make your connections. See Fig. 16 on page 5.

This installation instruction covers two (2) separate kits: 1) PAVER-CP-MT and 2) PAVER-CP-MT-MSI.

TOOLS NEEDED: (1) Drill/driver, Gas Rated Teflon Tape or Compound, 5/16" Hex head driver, (1) 3/16" Concrete Drill Bit, (2) Adjustable Wrenches, Assorted Open-end Wrenches

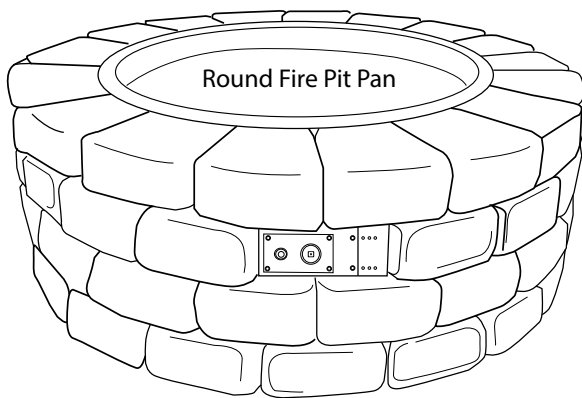


Fig. 1 Paver kit with fire pit pan.

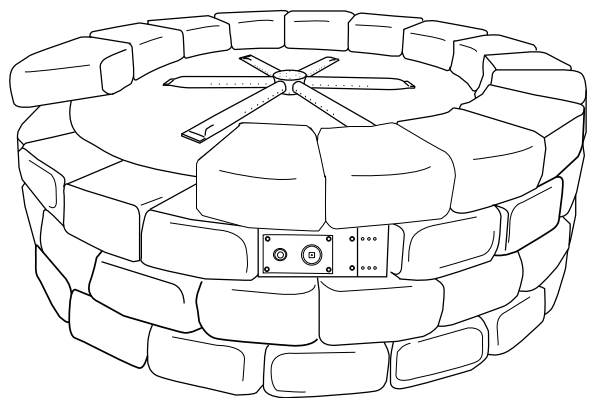


Fig. 2. Paver kit with fire pit flat disc.

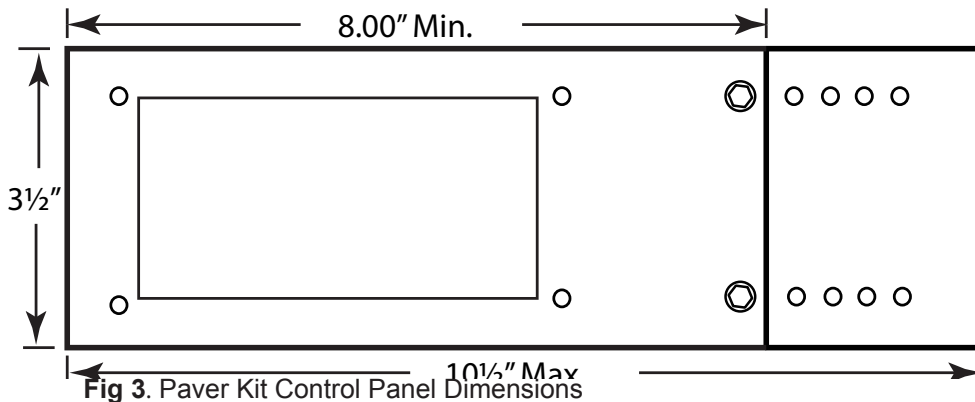


Fig 3. Paver Kit Control Panel Dimensions

DIMENSIONS: The Paver Kit bracket and extension will fit an opening with a maximum of 10.500" wide x 3.500" tall. Without the Bracket Extension plate the maximum width is 8.00" wide. The holes in the Extension Bracket are spaced every .500".

GENERAL INSTRUCTIONS

NOTE: This manual covers two specific models. This section will provide a general installation of the Paver Control Panel. See Table of Contents for specific instruction for your application. Follow the directions from your paver block fire pit kit to build the actual fire pit. Depending on your fire pit pan (flat disc or pan) ensure the Paver Control Panel is installed underneath the pan or disc.

Be sure the paver patio block kit fits the opening of the fire pit pan or disc before beginning your installation.

STEP 1: Determine the best location to install the paver kit control panel per your installation.

STEP 2: Remove one block from your fire pit enclosure then measure the width between the opening. Depending on the block width the control panel can be adjusted to fit various openings. **NOTE:** When measuring it is recommended but not required to recess the control panel to protect the valve components from weather.

STEP 3: After you have determined the location and measured the width to install the Paver Control Panel mark the inside of the control panel as shown in Fig. 4.

STEP 4: Drill the two holes with a 3/16" concrete drill bit and secure the paver kit control panel with concrete screws. Fig. 5 shows front view.

Use the lintel to support the paver above control panel. The lintel simply lays on top of the paver as shown in Fig. 4.

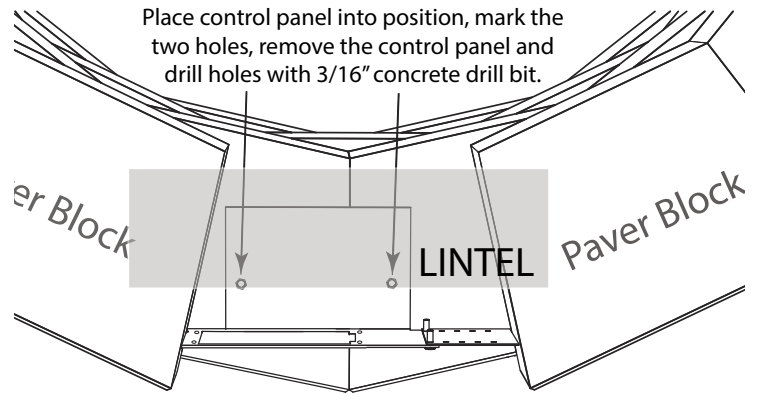


Fig. 4 Top view of control panel securing into the paver block.

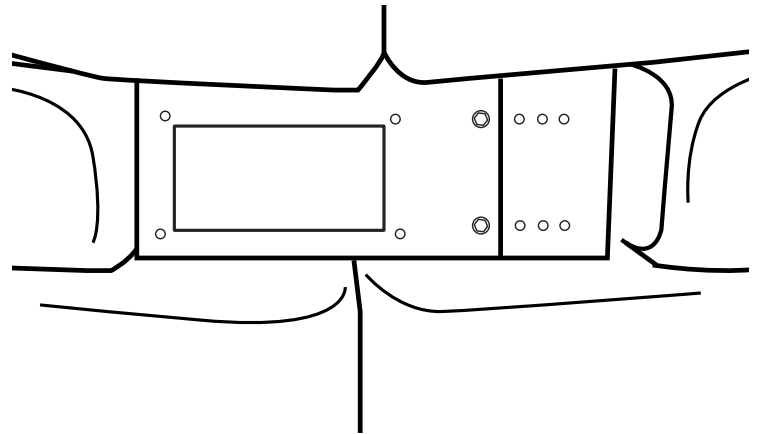


Fig. 5 Front view of control panel installed, ready for valve bracket.

PAVER-CP-MT INSTRUCTIONS

With the paver kit face plate bracket (control panel) installed you are now ready to install the manual gas valve.

STEP 1: Prepare the two 1/2" flare x 1/2" MIP 90° brass elbows by installing gas rated Teflon tape or compound to the male threads and install them into the manual key valve that came with your fire pit. Ensure the fittings are tight to prevent any gas leaks. See Fig. 6 for proper orientation.

NOTE: The manual key valve has no particular inlet or outlet designation therefore the inlet gas can be connected to any of the flared ends.

CAUTION: Do not use any Teflon tape or compound on the flared ends of the fittings.

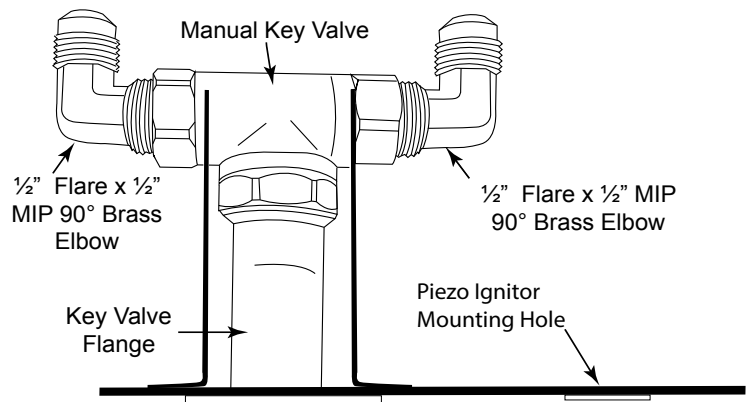
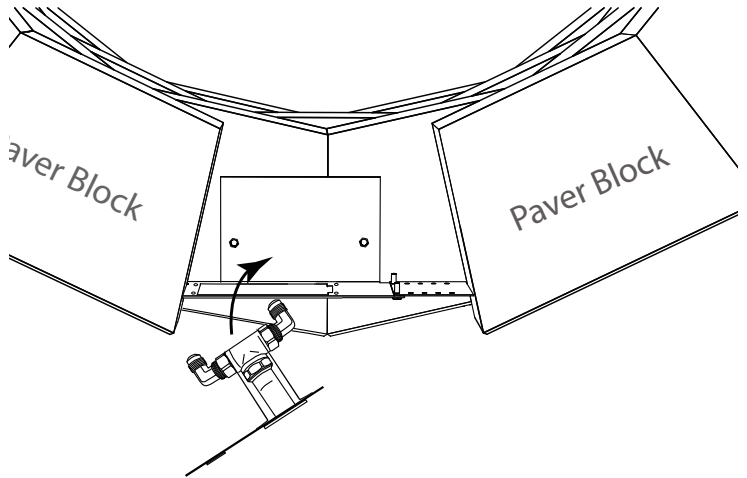


Fig. 6 Manual key valve elbow orientation. **Note:** The paver kit face plate bracket (control panel) can be oriented with Piezo on either the right or left hand side.

STEP 2: Once the 90° elbows are installed into the manual key valve then install the MT key valve bracket into Paver Kit control panel as shown in Fig. 7.



STEP 3: Secure the key valve bracket into place using the four black thread cutting screws (See Fig. 8).

STEP 4: Install the flex connector from the burner to either side of the gas valve and connect gas supply to the other side of the gas valve. Conduct a trial burn test by temporarily connecting the fire pit pan and burner and check for any gas leaks before completing the installation. See fire pit manual for proper connections.

Fig. 7 Installing MT valve into control panel.

See page 6 for lighting instructions.

STEP 5: After burn test is complete, finish the patio paver blocks installation.

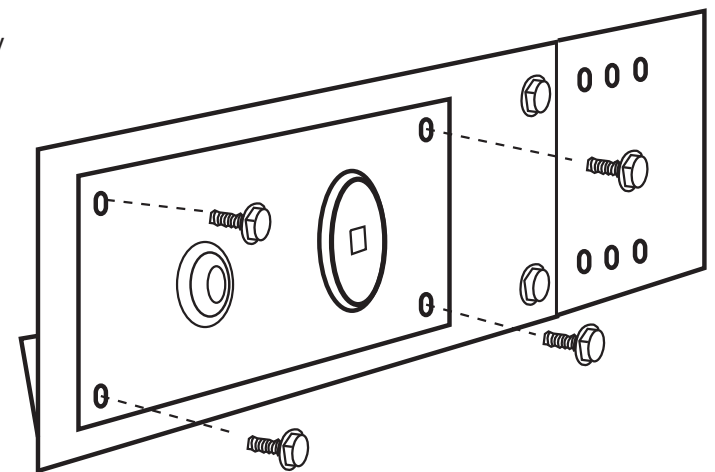


Fig. 8 Close up view securing MT valve bracket to control panel.

PAVER-CP-MT-MSI INSTALLATION

CAUTION: Turn OFF gas supply before beginning installation. If the fire pit is already installed, remove all media before beginning installation.

Step 1: Prepare the fire pit pan or disc by first removing the two screws from the 1" x 2" metal cover plate exposing the rectangular hole then align the burner leg as shown in Fig. 9. The inside edge of the burner leg should be approximately 3/4-inch away from the inside edge of rectangular hole.

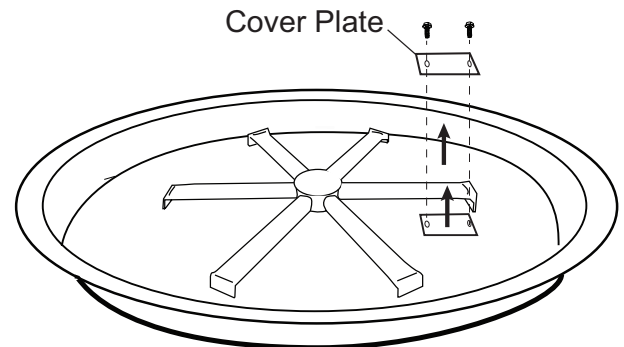


Fig. 9 Removing cover plate from pan.

Step 2: Remove the two stainless steel screws and nuts from the probe assembly but leave it assembled. Carefully slide the orange wire from the top of the pan through rectangular hole in the fire pit pan resting over the burner leg and install the screws into the existing holes of the cover plate (See Fig. 10).

NOTE: If the screws from the probe assembly will not slide through the holes easily you can use the existing thread cutting screws removed from the metal cover in step 1. If you are using the screws and nuts from the probe assembly then temporarily secure one screw with one of the nuts previously removed. Ensure the assembly sits flat against the fire pit pan (See Fig. 11).

Step 3: Install the Ground Tab on the remaining screw (without nut) and secure. See Fig 11. **NOTE:** If you used the thread cutting screws to secure the probe assembly then secure the ground tab in any existing drain hole in the pan.

In all cases, ensure the nut is secured tight against the Ground Tab and fire pit pan because this will serve as the “ground” connection for the ignitor to spark.

CAUTION: Ensure the probes are not touching the rainshield or the Piezo will not spark at the tip of the probes. If necessary you can adjust the rainshield by loosening the screw inside the rainshield bracket, pushing it down and re-tightening the screw. Fig.11 shows proper spacing of probe to rainshield

NOTE: Ensure the probes are aligned over-top of the rainshield notched/cutout area and are spaced approximately 1/8-inch apart from the end/tips, above the burner tube (See Fig. 12).

Step 4: The Piezo module mounts directly to the MT key valve bracket. Install the Piezo module using the smaller hole with the two notches and slide module into the place until it stops. Using the plastic nut thread it onto the Piezo module to secure into place. Be careful not to turn the nut too tight and crack the plastic. Install the AAA battery as shown and thread the red button cap on the remaining threads of the module (See Fig. 13).

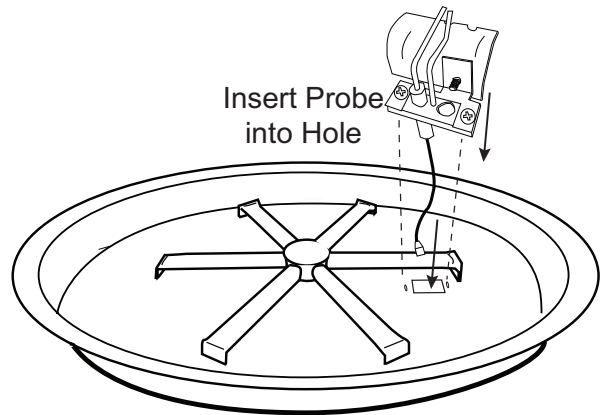


Fig. 10 Inserting probe assembly into pan/disc.

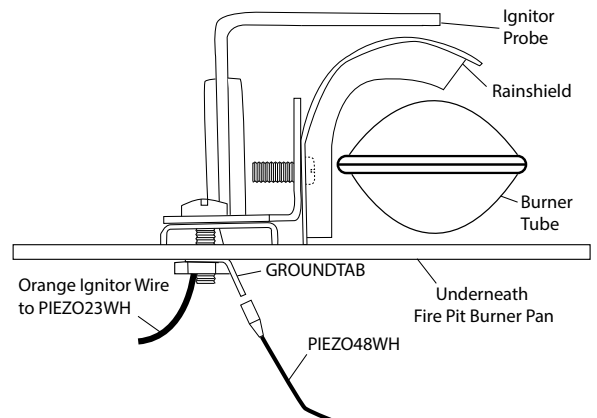


Fig. 11 Installing ground tab to pan/disc.

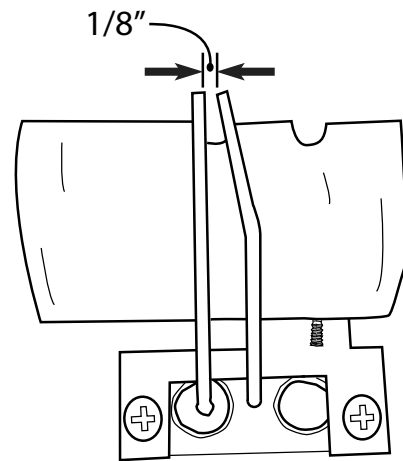


Fig. 12 Proper probe spacing for good ignition.

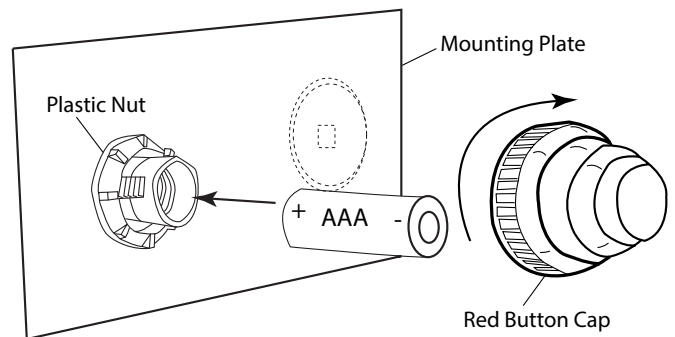


Fig. 13 Installing battery into Piezo module.

Step 5: Install the ignition hood over top of the ignition probe assembly into the existing pre-punched holes of the burner pan by using the five #10 - 24 x 1/2" provided screws. (See Fig. 14).

Step 6: Ensure the Paver kit control panel is within 40-inches of the 2-probe Piezo ignitor. This will allow enough "play" in the wires to make your connections. If not you may have to rotate the pan or disc to make proper connections.

Step 7: Connect the 3/16" end of the PIEZO23WH extension wire and 3/16" end of the PIEZO48WH wire into the back side of the spark ignitor module. See Fig. 15 detail.

Step 8: Attach the 1/4" end of extension wire (PIEZO23WH) to the orange ignitor wire and attach the 1/4" wire end (PIEZO48WH) wire to ground tab under the burner pan. See Fig. 16.

Step 9: Test the ignitor by pushing and holding the red button to ensure the 2-probe ignitor is sparking inside the ignition box in the burner pan. The spark should be located directly over top of the burner port hole for proper ignition of the gas as previously discussed. Spacing between the probes should be approximately 1/8" for proper spark. See Fig. 12 on page 4 if necessary.

Step 10: Install the ignition hood screen mesh and ensure no media lays on the screen mesh area (See Fig. 17). Install the lava rock/media material according to fire pit install manual and turn the main gas supply back ON. Installation is now complete.

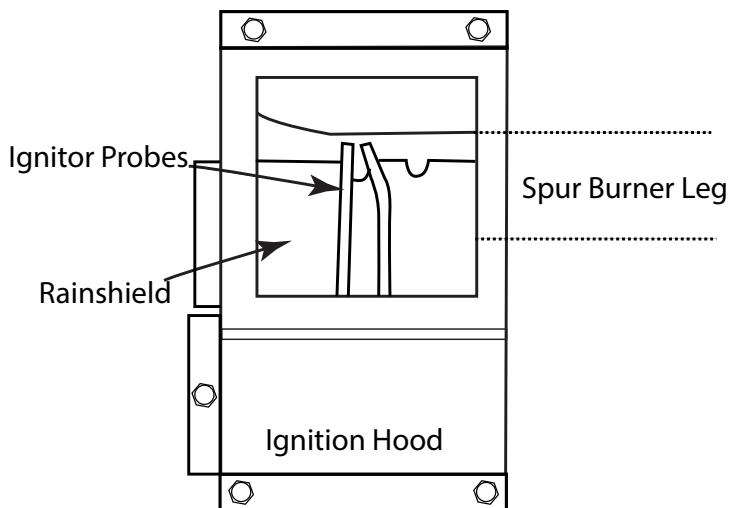


Fig. 14 Installing ignition hood.

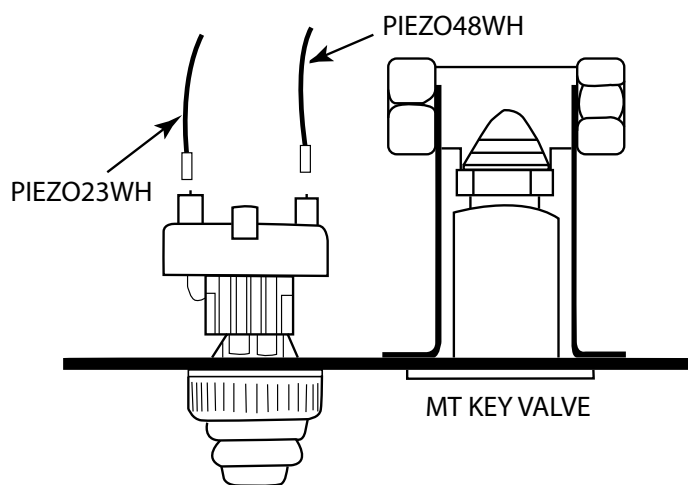


Fig. 15 Wiring into the Piezo module.

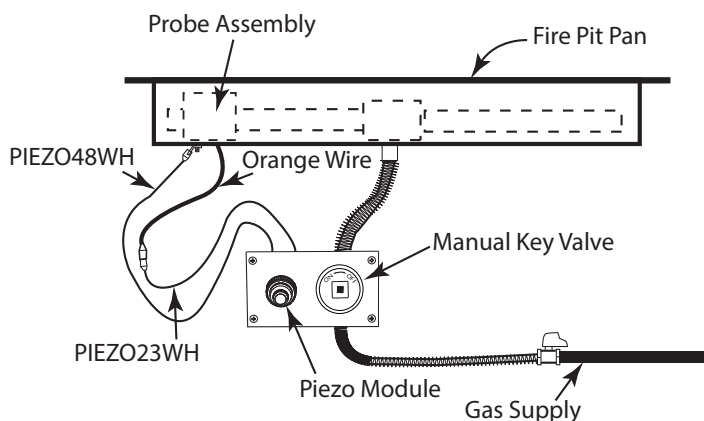


Fig. 16 Wiring diagram PAVER-CP-MT-MSI.

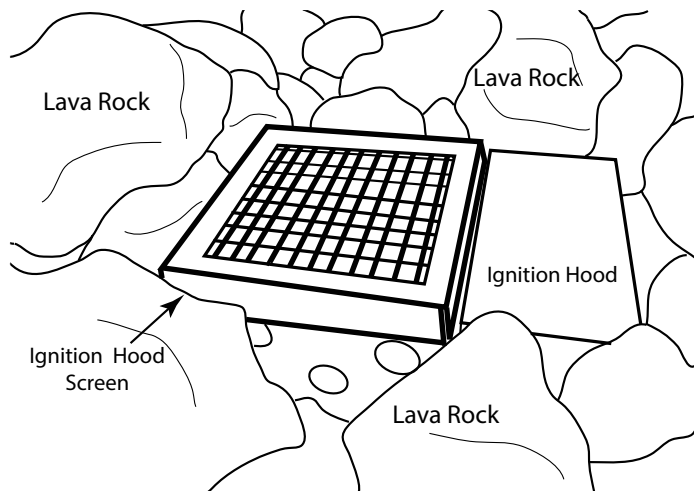


Fig. 17 Installing screen mesh cover on ignitor hood.

MT LIGHTING INSTRUCTIONS

READ ALL LIGHTING INSTRUCTIONS BEFORE ATTEMPTING TO LIGHT FIRE PIT

CAUTION: ENSURE YOU HAVE LEAK TESTED THE FIRE PIT BEFORE OPERATING.

WARNING: Do not stand over fire pit during ignition or operation due to high surface temperatures.

1. Push and hold the red button on the manual Piezo ignitor and ensure sparking is occurring at the probes inside fire pit.
2. Turn ON gas supply at the manual key valve.
3. Gas should ignite within 10 seconds or less. If fire pit does not light within 10 seconds turn OFF the gas supply. Check ignitor probe location (Figs. 12 & 14), ensure there is an 1/8" gap between the probes with a good strong spark then repeat steps 2 through 4.
4. Turn gas supply OFF to check probes and battery if fire pit does not light.

LIMITED WARRANTY

Firegear Outdoors warrants the Paver Kit for 12 months from date of purchase or installation to original purchaser to be free from defects in materials and workmanship. Damage to the Paver Kit caused by accident, misuse, abuse, or installation error, whether performed by a contractor, service company, or owner, is not covered by this warranty.

Firegear Outdoors will not be responsible for labor charges and/or damage incurred in installation, repair, replacement, or for incidental or consequential damage. Some states, provinces, and nations do not allow exclusion or limitations of incidental or consequential damages, so the above limitations or exclusions may not apply. This warranty gives you specific legal rights. You may also have other rights that vary by state, province, or nation.

FOR TECHNICAL SERVICE, CALL: (855) 498-8324

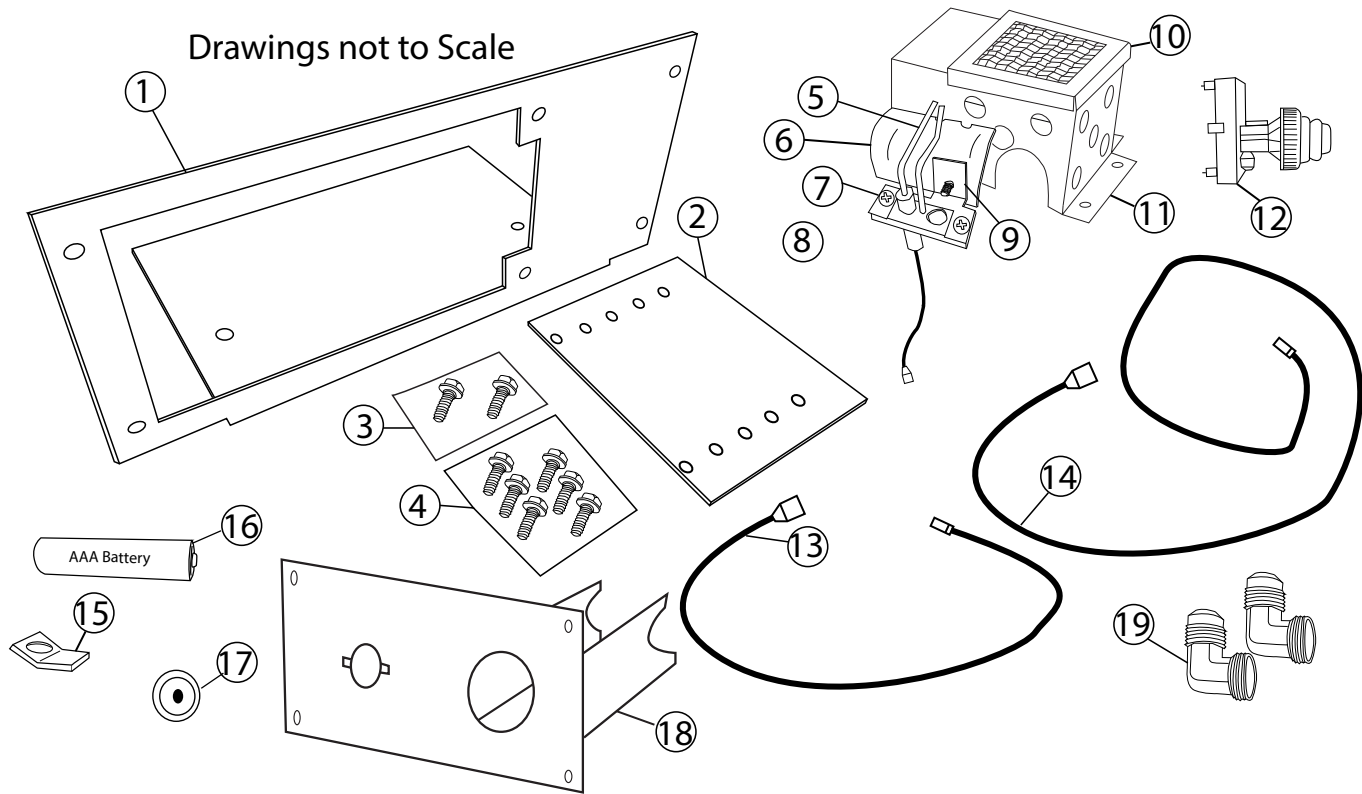
Firegear Outdoors
9230 Conservation Way
Fort Wayne, IN 46809
Sales: (888) 672-8929
Sales Support: (888) 699-6167

Tech Support E-mail: www.support@firegearoutdoors.com

WEB SITE: www.firegearoutdoors.com



PAVER-CP-MT / PAVER-CP-MT-MSI REPLACEMENT PARTS



Item #	Qty.	Description	Part Number	MT	MT-MSI
1	1	Paver Kit Bracket	PAVERKITBRACKET-SS	x	x
2	1	Paver Kit Bracket Extension	PAVERKITBRACKETEXT-SS	x	x
3	2	10-24 x 1/2" SS Thread Cutting Screw	ST3-113-1028	x	x
4	6	1/2" Stainless Thread Cutting Screw	SCREW1024HXSS75	x	x
5	1	Probe Assembly (with 24" orange wire)	VCS-5000DSI2PO1		x
6	1	Rain Shield for Burner	RAINSHIELD		x
7	2	10-24 x 5/8" Phillips Pan Head Screw	ST3-113-1019		x
8	2	10-24 Stainless Steel Nut (not shown)	ST3-113-1020		x
9	1	Rain Shield Bracket	VSC-5000DSIB01		x
10	1	Ignition Hood	SPURHOOD		x
11	1	Ignition Hood Screen	ST3-100-1027		x
12	1	Ignition Module	3042-RB		x
13	1	23" Piezo Ignition Wire	PIEZO23WH		x
14	1	48" Piezo Ignition Wire	PIEZO48WH		x
15	1	1/4" Male Spade Terminal	GROUNDTAB	x	x
16	1	AAA Battery	BATTAAA	x	x
17	1	Black Nylon Plug	BPFE-15-MM	x	
18	1	Match Throw (MT) Face Plate	MT-FACEPLATE-SS		x
19	2	1/2" Flare x 1/2" MIP Brass Elbow	49-88		x
20	2	1/4" x 1 1/4" Concrete Screws (not shown)	SCREW.25MASONRY	x	x
21	1	3" X 12" Steel lintel (not shown)	PAVER-LINTEL	x	x

* Some part quantities will vary depending upon kit used.