

KALEA BAY FIREPLACE SEE-THROUGH CONVERSION KITS

Kits: 73230 (36" Fireplace)
74230 (48" Fireplace)
75230 (60" Fireplace)
76230 (72" Fireplace)

Installation Instructions

**IF YOU CANNOT READ OR UNDERSTAND THESE INSTALLATION INSTRUCTIONS
DO NOT ATTEMPT TO INSTALL OR OPERATE THIS PRODUCT**



PLEASE RETAIN THIS MANUAL FOR FUTURE REFERENCE

The table below list the fireplace and the conversion kit model for each fireplace. Carefully open the conversion kit and ensure all parts are inside as shown in Fig. 1. **Note:** In some applications not all screws will be used.

OFP-36LECO-N	OFP-48LECO-N	OFP-60LECO-N	OFP-72LECO-N
Kit Model # 73230	Kit Model # 74230	Kit Model # 75230	Kit Model # 76230
(1) KB-36-73120 Glass	(1) KB-48-73120 Glass	(1) KB-60-73120 Glass	(1) KB-72-73120 Glass
(1) KB-36-73131 Hood	(1) KB-48-74131 Hood	(1) KB-60-75131 Hood	(1) KB-72-76131 Hood
(1) 76119 Glass Holder - Rt	(1) 76119 Glass Holder - Rt	(1) 76119 Glass Holder - Rt	(1) 76119 Glass Holder - Rt
(1) 76124 Glass Holder - Lt	(1) 76124 Glass Holder - Lt	(1) 76124 Glass Holder - Lt	(1) 76124 Glass Holder - Lt
(11) 77129 Pan Screws SS	(11) 77129 Pan Screws SS	(11) 77129 Pan Screws SS	(11) 77129 Pan Screws SS

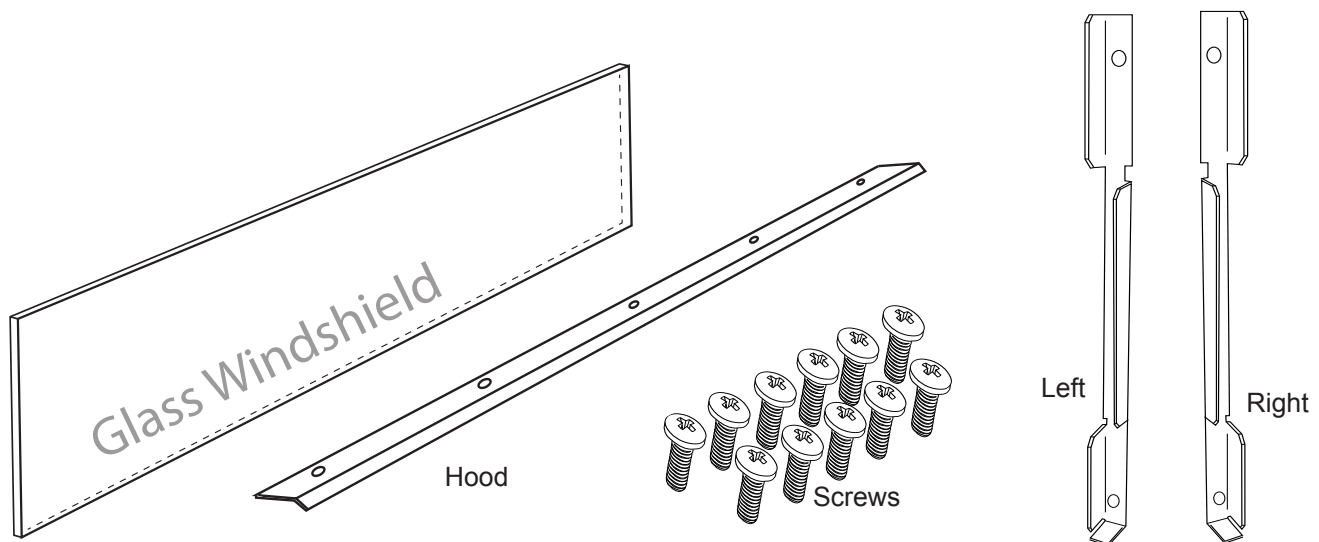


Fig. 1 Conversion kit contents.

Tools Needed: Phillips screwdriver or power screwdriver (to install glass holders and hood); 1/4" hex head tip or 1/4" nut driver (to remove rear panel from fireplace); pair of gloves to protect hands from any sharp metal edges

CAUTION: Before removing the rear back panel be sure to remove any loose materials out of the firebox area. To remove the rear back panel and convert fireplace into a see-thru, perform the following steps beginning on page 3.

Step 1: REMOVING BACK REAR PANEL

Look at the back side of the fireplace. Around the outer perimeter area of the back wall are several 1/4" hex head screws that must be removed (See the shaded area in Fig. 2). Only remove the top and bottom screws on the rear panel. The nailing flange will remain in place. The back wall panel will remain in one piece. **CAUTION:** Watch for sharp edges.

Note: The numbers of screws to remove will vary with each fireplace model. The back panel will not be used again. Discard back panel and replace the screws previously removed.

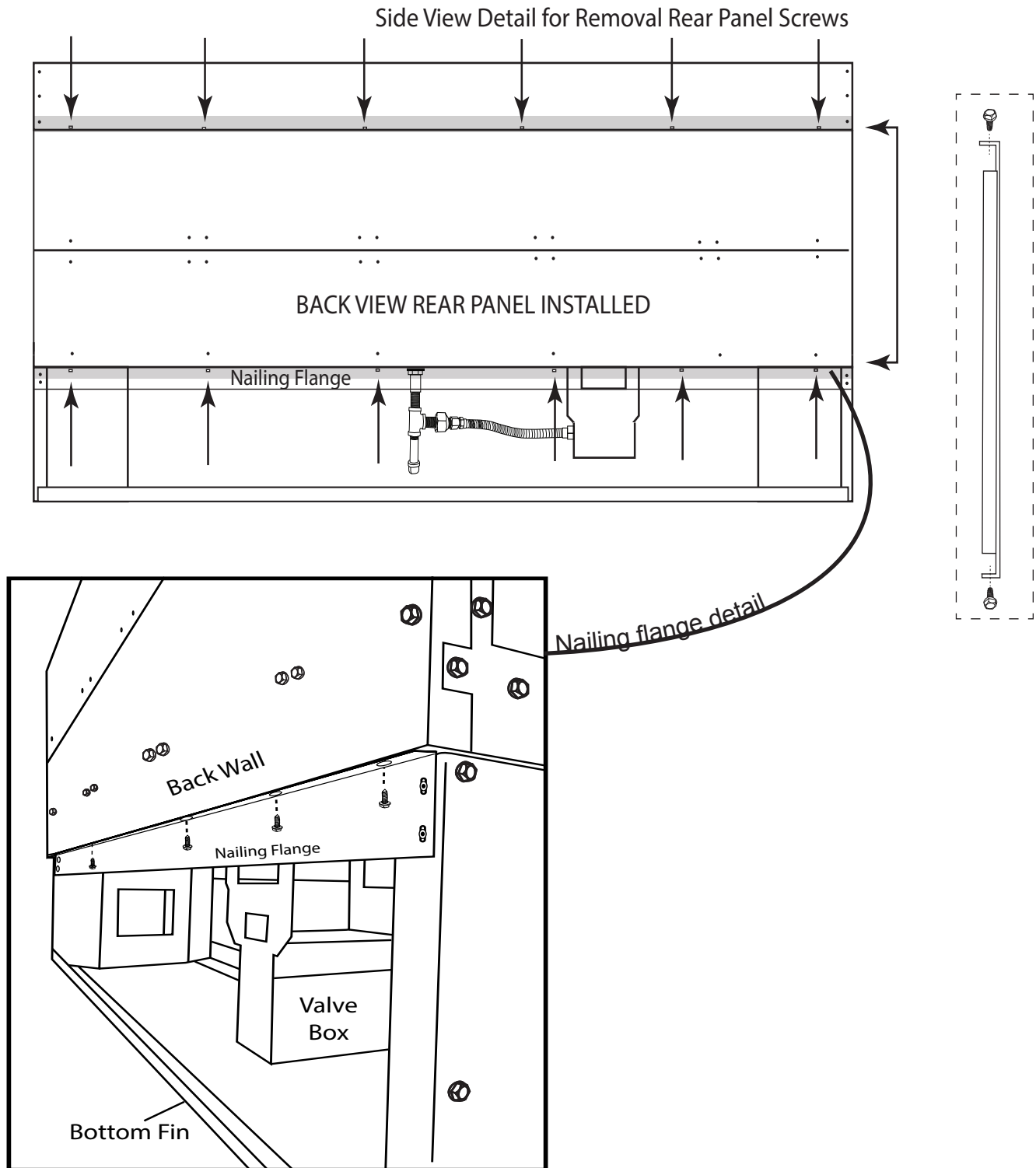


Fig. 2 Removing back wall to convert to see-thru model.

Step 2: INSTALLING HOOD

The fireplace requires a hood to be installed into each side of the firebox. One hood would have come with the single sided fireplace, the other hood is supplied with this kit. All models require five (5) screws (#77129) to secure the hood to the fireplace except the 72-inch model, which uses seven (7) screws to secure the hood. The hood protrudes outward 1-inch from the top opening of the fireplace. Fig. 3 shows hole location and installation process for hood installation. The protruding area of the hood is angled downward to deflect heat away, see Hood Detail below.

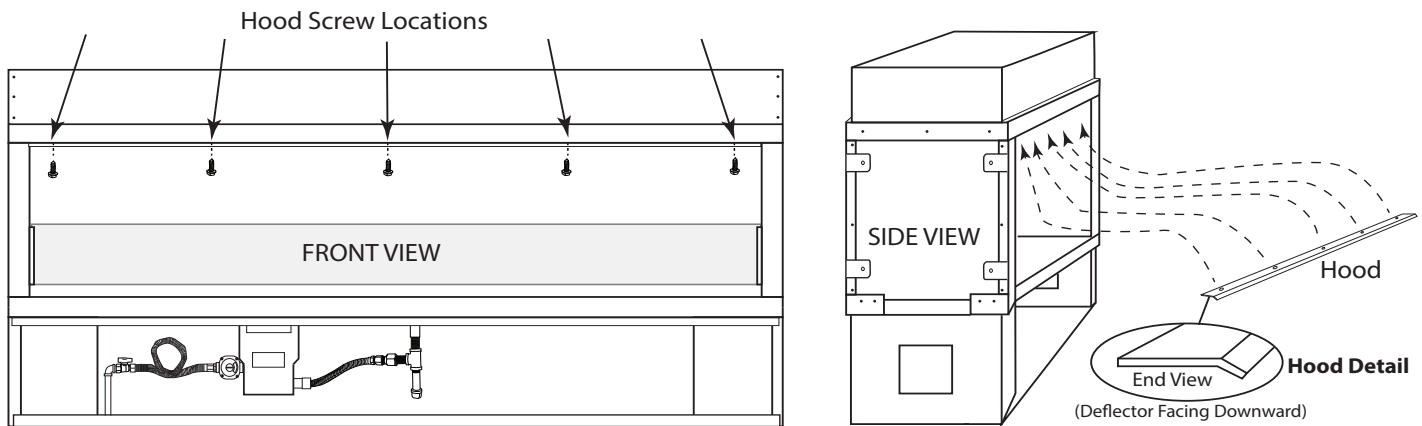


Fig. 3 Installing hood(s) on the fireplace.

Step 3: INSTALLING GLASS HOLDERS

Install the #76124 (glass holder - left) using two pan head Phillips screws supplied with the kit.

Align and insert the screw through the glass holder as shown in Fig. 4. Each screw will thread into the rivet-nut in the inner side panel of the fireplace.

Install the #76119 (glass holder - right) in the same manner on the right side.

Note: Glass holders are designed to hide the screw heads when installed.

Fireplace Inner Side Panel

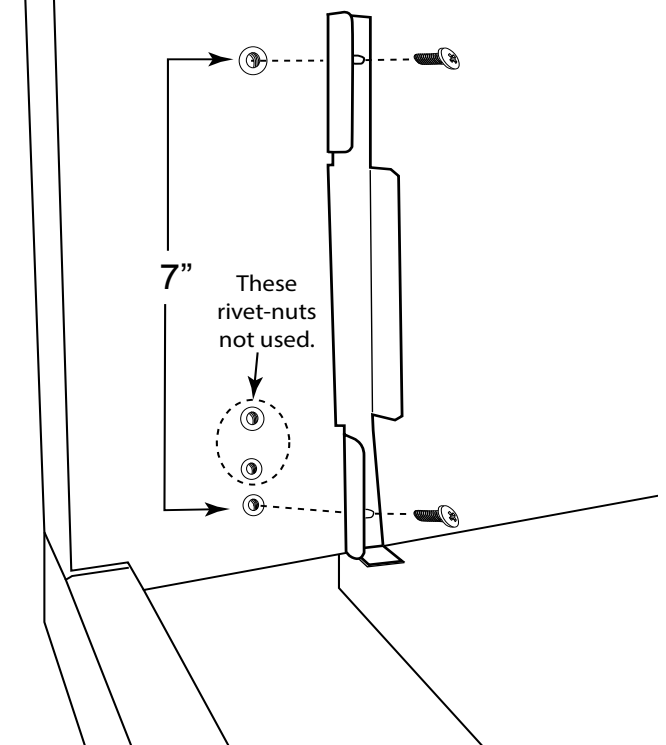


Fig. 4 Shows installing the left glass holder.

Step 4: WINDSHIELD INSTALLATION

The glass windshield slides into each glass holder, at the same time, on each end of the fireplace and rest in position as shown in Fig. 5. The glass will rest on the bottom tab of each windshield glass holder.

Note: There is only one glass windshield provided with this kit, the other windshield comes with the fireplace.

CAUTION: THIS IS TEMPERED GLASS. DO NOT CHIP GLASS. CHIPPED TEMPERED GLASS CAN BREAK WITHOUT WARNING.

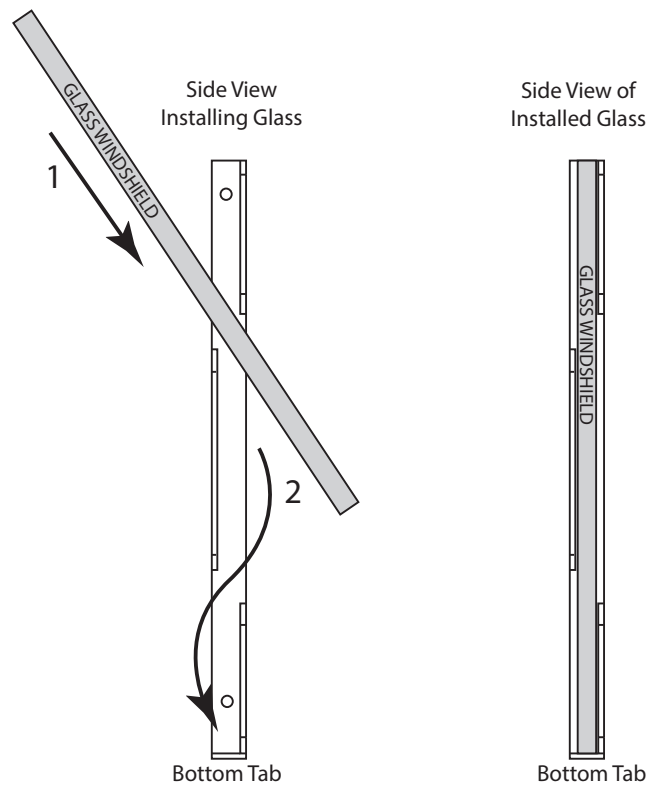


Fig. 5 Installing windshield into clips (glass holders).

Refer to original Kalea Bay manual for any additional questions.

FOR TECHNICAL SERVICE, CALL: (855) 498-8324

Firegear Outdoors

9230 Conservation Way
Fort Wayne, IN 46809
(260) 459-1703

Sales Support: (888) 699-6167

WEB SITE: www.firegearoutdoors.com

